

CG100H4-SKY
4 Button Scene
Control Panel



CG100HHB-SKY
Doorbell Switch



CG100HTH-SKY
Thermostat



Standard color of button and frame available for purchase



Description

- Wall mount control panel for SkyNET2000
- Data communicates through RS485 bus and running on Citygrow's SmartBus protocols.
- LED indicator for on/off status .
- CG100H4-SKY is for preset lighting scenes for SkyNET 2000.
- CG100HTH-SKY is a thermostat to preset room temperature and send signals to SkyNET 2000 to control A/C.
- Control button can be configured to become two way function.
- Control button can be configured to become scene function.
- Control button graphics can be tailor-made per customer requirement.
- Mounted in a standard UK wall box.
- Easy to install.
- Power supply by external DC12V . (powered by SkyNET 2000 system power supply)

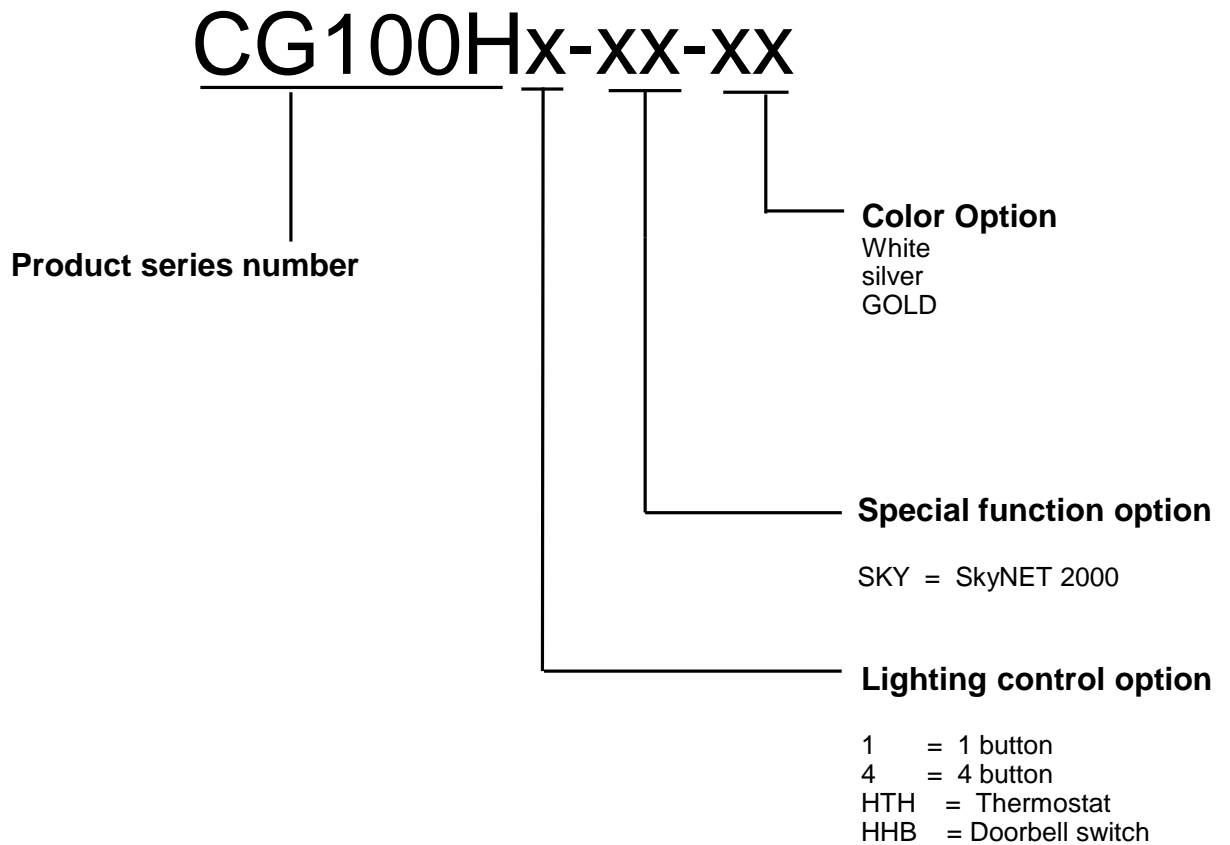


SkyNET 2000 Main Unit

Specifications

	CG100H4-SKY	CG100HTH	CG100HHB
Description	4 Button Scene Control Panel for SkyNET 2000	Thermostat for SkyNET 2000	Doorbell switch for SkyNET 2000
Function	<ol style="list-style-type: none"> 8 preset lighting scenes. Lighting scenes is able to include IR control. (IR device purchase separately) Lighting scenes is able to include curtain control. Max. 150 devices included in a scene. Minimum dimming level preset. Memory dim function. Two way control function. LED backlight. 	<ol style="list-style-type: none"> High, Mid, Low, cool, heat control. Temperature preset. Room temperature display. C /F selectable. Built-in temperature sensor. Work with CG801SW8 to implement fan coil Control. LED backlight. Support two way function, ie multiple CG100HTH-SKY control of single Fan Coil. 	<ol style="list-style-type: none"> Built-in contactor to drive door chime. By dry contact max. 1A 24Vdc/ac. LED backlight Support two way function, ie. different doorbell switch can be located at different locations.
	<p>Remarks:</p> <ol style="list-style-type: none"> When up button is used for dimming up function, the down button cannot be programmed as scene function. Maximum number of devices programmed into the whole product is limited to 150 devices. 		<p>Remarks:</p> <ol style="list-style-type: none"> For hotel customer, DND and Clean room LED indicator is provided on CG100HHB-SKY.
Maximum current consumption	200mA max.	200mA max.	200mA max.
Power supply	DC12V Powered by SkyNET 2000 system power supply	DC12V Powered by SkyNET 2000 system power supply	DC12V Powered by SkyNET 2000 system power supply
RS485A & RS485B to SkyNET 2000	<ol style="list-style-type: none"> Panels should be connected in daisy chain configuration. Maximum 50 control panels can be connected. Connect RS485A and RS485B to the corresponding connector in SkyNET main unit. It is recommended to use Belden 8723 cable. RS485 terminator 120ohm resistor is needed to be added to end the cable. See wiring diagram – SkyNET 2000. 		
Address setting	<ol style="list-style-type: none"> Dip switch 1 to 8 for setting the panel address. Normally, the main unit CG801SKN-M should be set to 00000000. In case Circuit Extender CG801SKN-E is added, the Circuit Extender can be set to 00000001, 00000010.....etc. Control panel addresses can be 00000100, 00000111,00000101.....etc Please refer the SkyNET Planner user manual for details. 		
Dimensions mm (Length x Width x Depth)	85x85x28	85x85x28	85x85x28
Recommended operation temperature	0 to 40 degC	0 to 40 degC	0 to 40 degC

How to Build a Model Number



FRAME SELECTION:

WHITE:CG100H-PF-WHITE

SILVER GREY:CG100H-PF-SILVER GREY

GOLD: CG100H-PF-GOLD