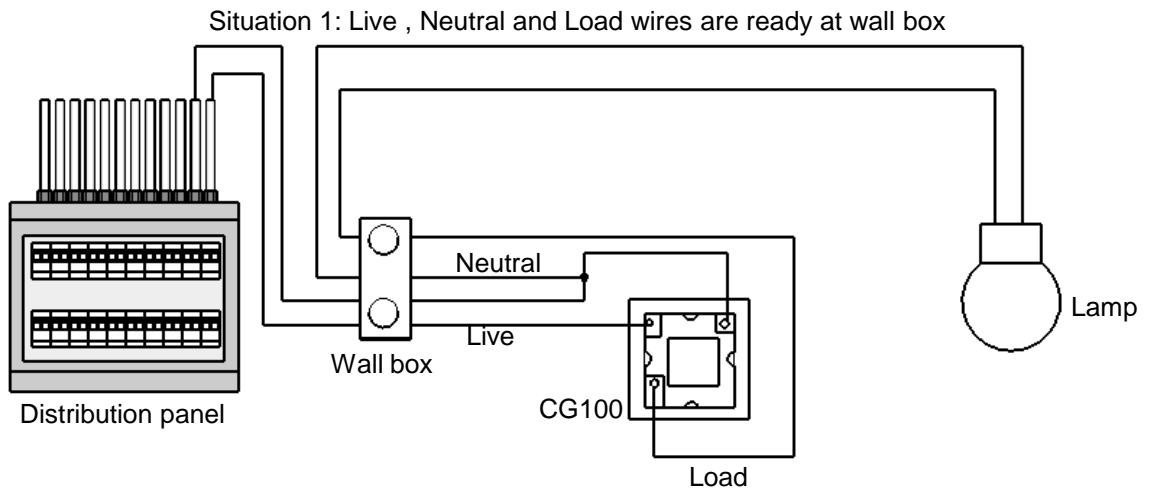


1. CG100S1, One Gang Switch
2. CG100DM, One Gang Dimmer
3. CG100S2, Two Gang Switch

Wiring Diagram

Notes: The Neutral wire of load is closely connected to the Neutral point of CG100.



Situation 2: Live and Load wires are ready at wallbox, Neutral wire is only ready at ceiling

