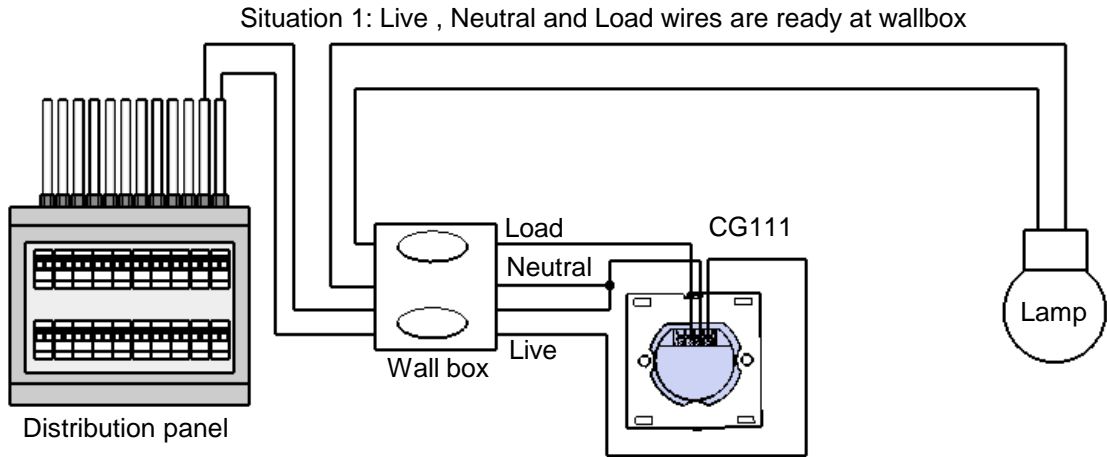


- 1. CG111S1/CG111S1xx, One Gang Switch
- 2. CG111S2/CG111S2xx, Two Gang Switch
- 3. CG111DM/CG111DMxx, One Gang Dimmer

# Wiring Diagram

Notes: The Neutral wire of load is closely connected to the Neutral point of CG111.



Situation 2: Live and Load wires are ready at wallbox, Neutral wire is only ready at ceiling

