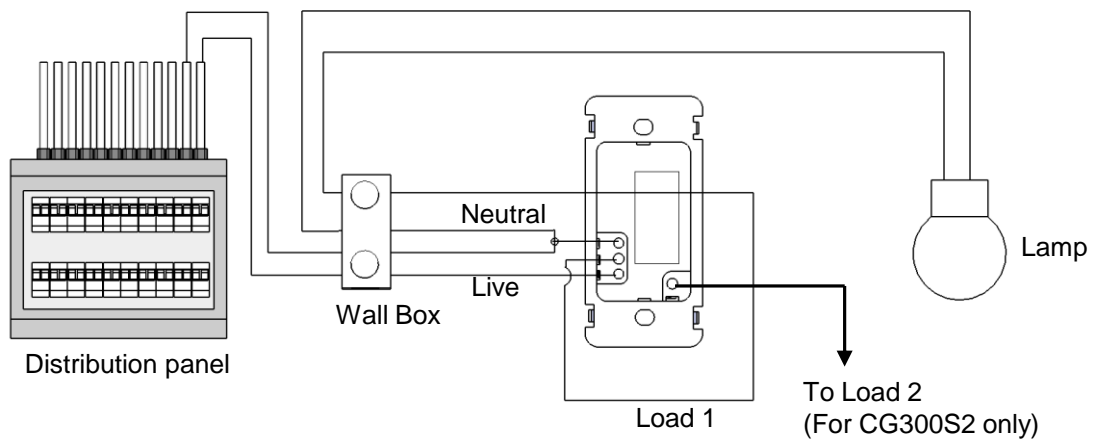


1. CG300S1, One Gang Switch
2. CG300S2, Two Gang Switch
3. CG300DM, One Gang Dimmer

Wiring Diagram

Notes: The Neutral wire of load is closely connected to the Neutral point of CG300.

Situation 1: Live , Neutral and Load wires are ready at Wall Box



Situation 2: Live and Load wires are ready at Wall Box, Neutral wire is only ready at ceiling

