

# **CG120H SERIES**

***ZIGBEE WIRELESS FREE LOCATED PANEL***

## **USER MANUAL**



CG120H1  
Free Located  
Panel, 1 Scene



CG120H2  
Free Located  
Panel, 4 Scenes

VERSION 1.1

17 JANUARY, 2014

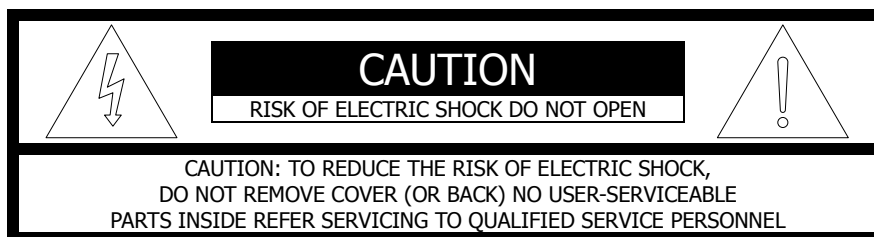


### Disclaimers and Copyright

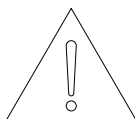
Nothing contained in this publication is to be construed as granting any right, by implication or otherwise, for the manufacture, sale, or use in connection with any method, apparatus, or product covered by letters patent, or as insuring anyone against liability for infringement of letters patent.

Efforts have been made to ensure the accuracy and reliability of the data contained in this publication; however, Citygrow Energy Systems Limited. makes no representation, warranty, or guarantee in connection with this publication and hereby expressly disclaims any liability or responsibility for loss or damage resulting from its use or from the use of any product or methodology described herein; for any violation of any federal, state, or municipal regulation with which this publication may conflict; or for the infringement of any patent from the use of this publication. Nothing contained in this publication should be viewed as an endorsement by Citygrow Energy Systems Limited of any particular manufacturer's products.

Copyright © 2012 Citygrow Energy Systems Limited, All Rights Reserved



The lightning flash with arrowhead symbol within an equilateral triangle is intended to alert the user to the presence of uninsulated “dangerous voltage” within the product’s enclosure that may be of sufficient magnitude to constitute a risk of electric shock to persons.



The exclamation point within an equilateral triangle is intended to alert the user to the presence of important operating and maintenance (servicing) instructions in the literature accompanying the product.

## **IMPORTANT SAFETY INSTRUCTIONS**

### **READ BEFORE OPERATING EQUIPMENT**

*This product was designed and manufactured to meet strict quality and safety standards.*

There are, however, some installation and operation precautions which you should be particularly aware of.

1. Read these instructions.
2. Keep these instructions.
3. Heed all warnings.
4. Follow all instructions.
5. Do not use this apparatus near water.
6. Clean only with dry cloth.
7. Do not block any ventilation openings. Install in accordance with the manufacturer’s instructions.
8. Do not install near any heat sources such as radiators, heat registers, stoves, or other apparatus that produce heat.
9. Do not defeat the safety purpose of the polarized or grounding-type plug. If the provided plug does not fit into your outlet, consult an electrician for replacement of the outlet.
10. Protect the power cord from being walked on or pinched particularly at plugs, convenience receptacles, and the point where they exit from the apparatus.
11. Only use attachments/accessories specified by the manufacturer.
12. Use only with the cart, stand, tripod, bracket, or table specified by the manufacturer, or sold with the apparatus. When a cart is used, use caution when moving the cart/apparatus combination to avoid injury from tip-over.
13. Unplug this apparatus during lightning storms.
14. Refer all servicing to qualified service personnel. Servicing is required when the apparatus has been damaged in any way, such as power-supply cord or plug is damaged, liquid has been spilled or objects have fallen into the apparatus, the apparatus has been exposed to rain or moisture, does not operate normally, or has been dropped.

## Table of Content

1. Introduction.....	1
2. Understanding of the product-CG120H.....	2
3. Dimensions.....	3
4. Installation .....	4
5. Operation instruction.....	6
6. Adding the product to your Home Wireless ZigBee Network.....	7
7. Clear Memory .....	8
8. Specification .....	9

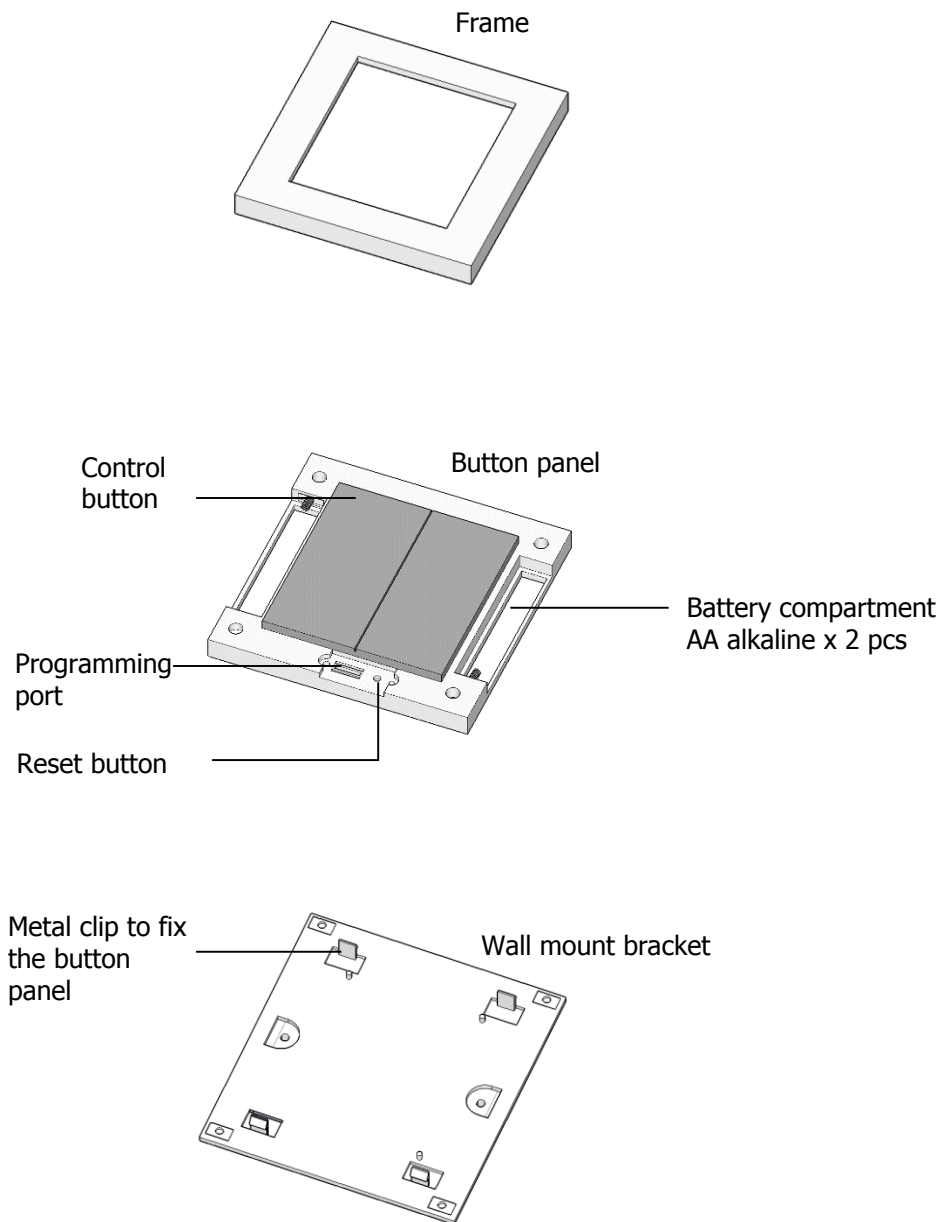
# 1. Introduction

Thank you for buying Citygrow's product. CG120H Series runs on 2 pcs AAA alkaline batteries. It is especially useful for DIY installation and allows you to locate the light switch anywhere in the house.

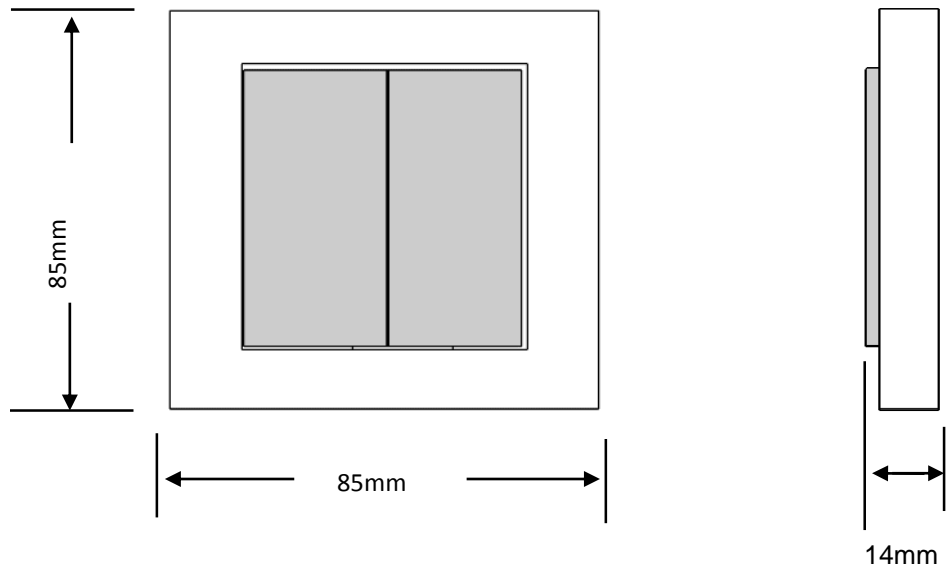
## Description

1. ZigBee wireless remote control.
2. Based on IEEE 802.15.4.
3. 2.4GHz radio frequency.
4. Remote control of Citygrow's switches and dimmers.
5. Detachable mechanism increases flexibility of operation.
6. Battery low detect with "beep" sound alert.
7. Screw mount or by using double side tape for wall mounting.
8. Control button can be configured to become scene function.
9. Control button graphics can be tailor-made per customer requirement.
10. Easy to install.
11. Operated by 2 pcs AAA battery.

## 2. Understanding of the product-CG120H

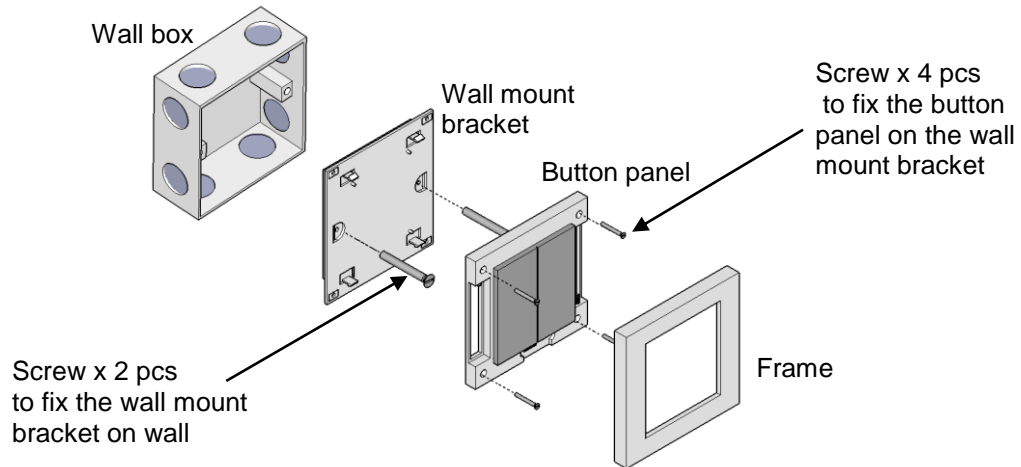


### 3. Dimensions

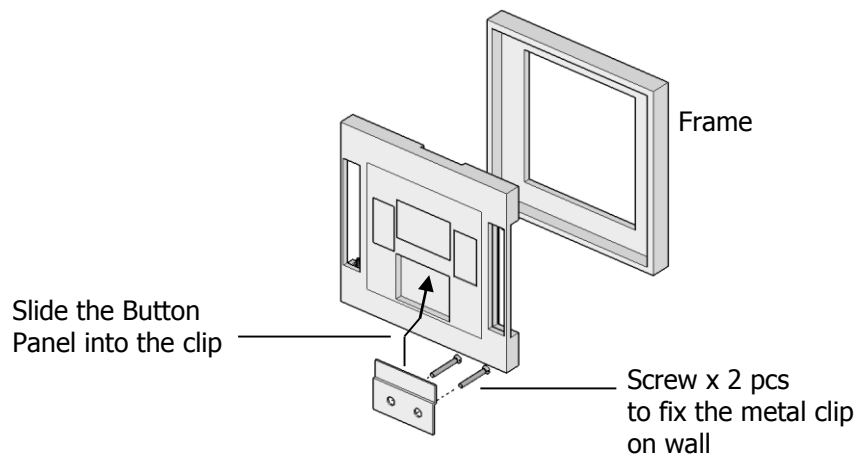


## 4. Installation

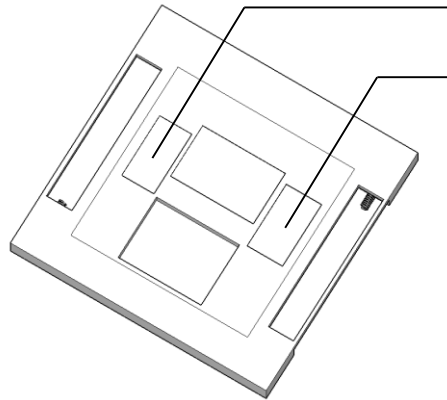
### Case 1: Install the product on a wall box



**Case 2: You may want to mount the product where a Wall box is not available. In this case you can use the provided metal clip to fix the Button Panel directly on wall or wood surface.**



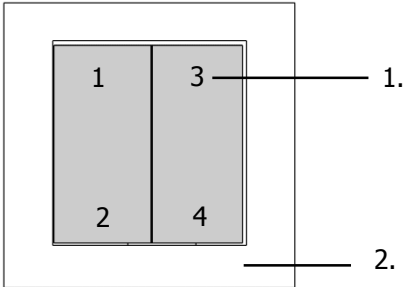
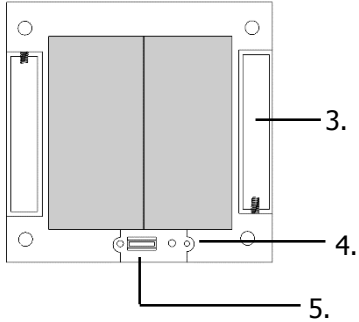
**Case 3: Using double side tape to fix the Button panel directly on smooth or glass surface.**



Use double side tape to stick the Button panel on smooth and clean surface.



## 5. Operation instruction

<b>COVER PLATE</b>	
	<ol style="list-style-type: none"> <li>1. 1, 2,3, 4, are buttons location.</li> <li>2. Frame</li> </ol>
<b>MAIN UNIT</b>	
	<ol style="list-style-type: none"> <li>3. AAA alkaline battery x 2 pcs.</li> <li>4. Reset button</li> <li>5. Program port</li> </ol>

Button 1, 2, 3, 4 can be programmed to be ON/OFF function, or Dim up/ Dim Down or Scene function. It can be programmed via HomeNET Planner Software.

Push these button to activate the function.

## 6. Adding the product to your Home Wireless ZigBee Network

<p>The diagram illustrates the connection process in three steps:</p> <ol style="list-style-type: none"> <li><b>STEP 1:</b> A top-down view of the device's front cover is shown open. A 5-pin connector is visible at the bottom center. An arrow labeled '2' points from the connector to the cable.</li> <li><b>STEP 2:</b> The CG101UTC cable is shown with one end plugged into the 5-pin connector. An arrow labeled '2' points from the cable to the next step.</li> <li><b>STEP 3:</b> The other end of the cable is shown plugged into the USB port of a laptop. An arrow labeled '3' points from the cable to the laptop.</li> </ol>	<p><b>STEP 1</b></p> <p>Open the front cover, you will see a 5 pin program port connector.</p> <p><b>STEP 2</b></p> <p>Plug the CG101UT5 cable into the 5 pin connector of the product, and then plug the other end of the CG101UT5 cable into the mini USB end of the CG101UTC cable.</p> <p><b>STEP 3</b></p> <p>Plug the CG101UTC cable into the USB port of a PC that is installed with Citygrow's HomeNET Planner Software.</p> <p><b>STEP 4</b></p> <p>Refer to the user manual of "HomeNET Planner" Software to program and set the address of the product.</p>
--	---

## 7. Clear Memory

Clearing the memory inside of the product will result in:

1. The product will no longer reply to any Panels that it had previously bound to.
2. The product will no longer reply to any Remotes that it had previously bound to.

In order to perform the Clear Memory function, please follow the below steps:

	<p><b>STEP 1</b></p> <ul style="list-style-type: none"> <li>- Press and <b>HOLD</b> anyone of the button, say button "A".</li> </ul>
	<p><b>STEP 2</b></p> <ul style="list-style-type: none"> <li>- <b>CONTINUE</b> holding onto the button.</li> <li>- Press and release the Reset Button once.</li> </ul>
	<p><b>STEP 3</b></p> <ul style="list-style-type: none"> <li>- Wait until the LED Indicator begins <b>BLINKING</b>.</li> <li>- Release the "A" Button.</li> </ul>
	<p><b>STEP 4</b></p> <ul style="list-style-type: none"> <li>- Press and release the "A" Button again to stop blinking.</li> </ul>
	<p><b>STEP 5</b></p> <ul style="list-style-type: none"> <li>- Press and release the Reset Button.</li> <li>- The memory inside of the product has been cleared now.</li> </ul>

## 8. Specification

	CG120H1	CG120H2	
Description	Free Located Panel, 1 Scene	Free Located Panel, 4 Scenes	
Function	<ol style="list-style-type: none"> <li>1. Remote control for Citygrow's ZigBee devices.</li> <li>2. 1 preset lighting scene.</li> <li>3. Max. 150 devices included in a panel for scene setting.</li> <li>4. On/off control</li> <li>5. Dimming control</li> <li>6. Minimum dimming level preset.</li> <li>7. Memory dim function.</li> <li>8. Two way control function.</li> </ol>	<ol style="list-style-type: none"> <li>1. Remote control for Citygrow's ZigBee devices.</li> <li>2. 4 preset lighting scene.</li> <li>3. Max. 150 devices included in a panel for scene setting.</li> <li>4. On/off control</li> <li>5. Dimming control</li> <li>6. Minimum dimming level preset.</li> <li>7. Memory dim function.</li> <li>8. Two way control function.</li> </ol>	
	Remarks: <ol style="list-style-type: none"> <li>1. When up button is used for dimming up function, the down button cannot be programmed as scene function.</li> <li>2. Maximum number of devices programmed into the whole product is limited to 150 devices.</li> </ol>		
Maximum current consumption	100mA max.	100mA max.	
Battery life	1 year ( depends on usage)		
Power supply	AAA Alkaline battery x 2 pcs	AAA Alkaline battery x 2 pcs	
RF frequency	2.4GHZ	2.4GHZ	
Remote control distance (line of sight)	100M	100M	
Dimensions mm (Length x Width x Depth )	85x85x14	85x85x14	
Recommended operation temperature	0 to 40 degC	0 to 40 degC	