

CG800H SERIES

ZIGBEE WIRELESS SCENE CONTROL PANEL

USER MANUAL



VERSION 1.1

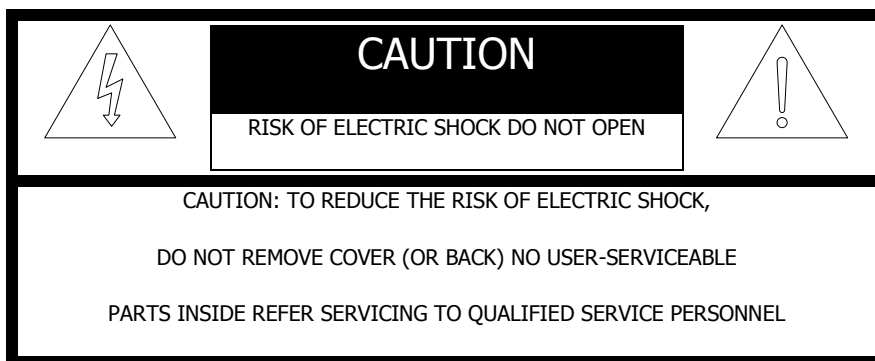
17 JANUARY, 2014



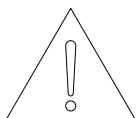
Disclaimers and Copyright

Nothing contained in this publication is to be construed as granting any right, by implication or otherwise, for the manufacture, sale, or use in connection with any method, apparatus, or product covered by letters patent, or as insuring anyone against liability for infringement of letters patent.

Efforts have been made to ensure the accuracy and reliability of the data contained in this publication; however, Citygrow Energy Systems Limited. makes no representation, warranty, or guarantee in connection with this publication and hereby expressly disclaims any liability or responsibility for loss or damage resulting from its use or from the use of any product or methodology described herein; for any violation of any federal, state, or municipal regulation with which this publication may conflict; or for the infringement of any patent from the use of this publication. Nothing contained in this publication should be viewed as an endorsement by Citygrow Energy Systems Limited. of any particular manufacturer's products.



The lightning flash with arrowhead symbol within an equilateral triangle is intended to alert the user to the presence of uninsulated "dangerous voltage" within the product's enclosure that may be of sufficient magnitude to constitute a risk of electric shock to persons.



The exclamation point within an equilateral triangle is intended to alert the user to the presence of important operating and maintenance (servicing) instructions in the literature accompanying the product.

IMPORTANT SAFETY INSTRUCTIONS

READ BEFORE OPERATING EQUIPMENT

This product was designed and manufactured to meet strict quality and safety standards.

There are, however, some installation and operation precautions which you should be particularly aware of.

1. Read these instructions.
2. Keep these instructions.
3. Heed all warnings.
4. Follow all instructions.
5. Do not use this apparatus near water.
6. Clean only with dry cloth.
7. Do not block any ventilation openings. Install in accordance with the manufacturer's instructions.
8. Do not install near any heat sources such as radiators, heat registers, stoves, or other apparatus that produce heat.
9. Do not defeat the safety purpose of the polarized or grounding-type plug. If the provided plug does not fit into your outlet, consult an electrician for replacement of the outlet.
10. Protect the power cord from being walked on or pinched particularly at plugs, convenience receptacles, and the point where they exit from the apparatus.
11. Only use attachments/accessories specified by the manufacturer.
12. Use only with the cart, stand, tripod, bracket, or table specified by the manufacturer, or sold with the apparatus. When a cart is used, use caution when moving the cart/apparatus combination to avoid injury from tip-over.
13. Unplug this apparatus during lightning storms.
14. Refer all servicing to qualified service personnel. Servicing is required when the apparatus has been damaged in any way, such as power-supply cord or plug is damaged, liquid has been spilled or objects have fallen into the apparatus, the apparatus has been exposed to rain or moisture, does not operate normally, or has been dropped.

Table of content

1. Introduction.....	1
2. Understanding of the product.....	2
2.1. CG800H1-MD, CG800H2-MD	2
2.2. CG800HHB	3
3. Dimensions.....	4
4. Wiring	4
4.1. CG800H1-MD, H2-MD	4
4.2. CG800HHB	5
5. Installation	6
6. Operation instruction	8
6.1. CG800H1-MD, H2-MD	8
7. CG800HHB, Doorbell switch	9
8. Adding the product to your Home Wireless ZigBee Network.....	11
9. Clear Memory	12
10. Specification	14

1. Introduction

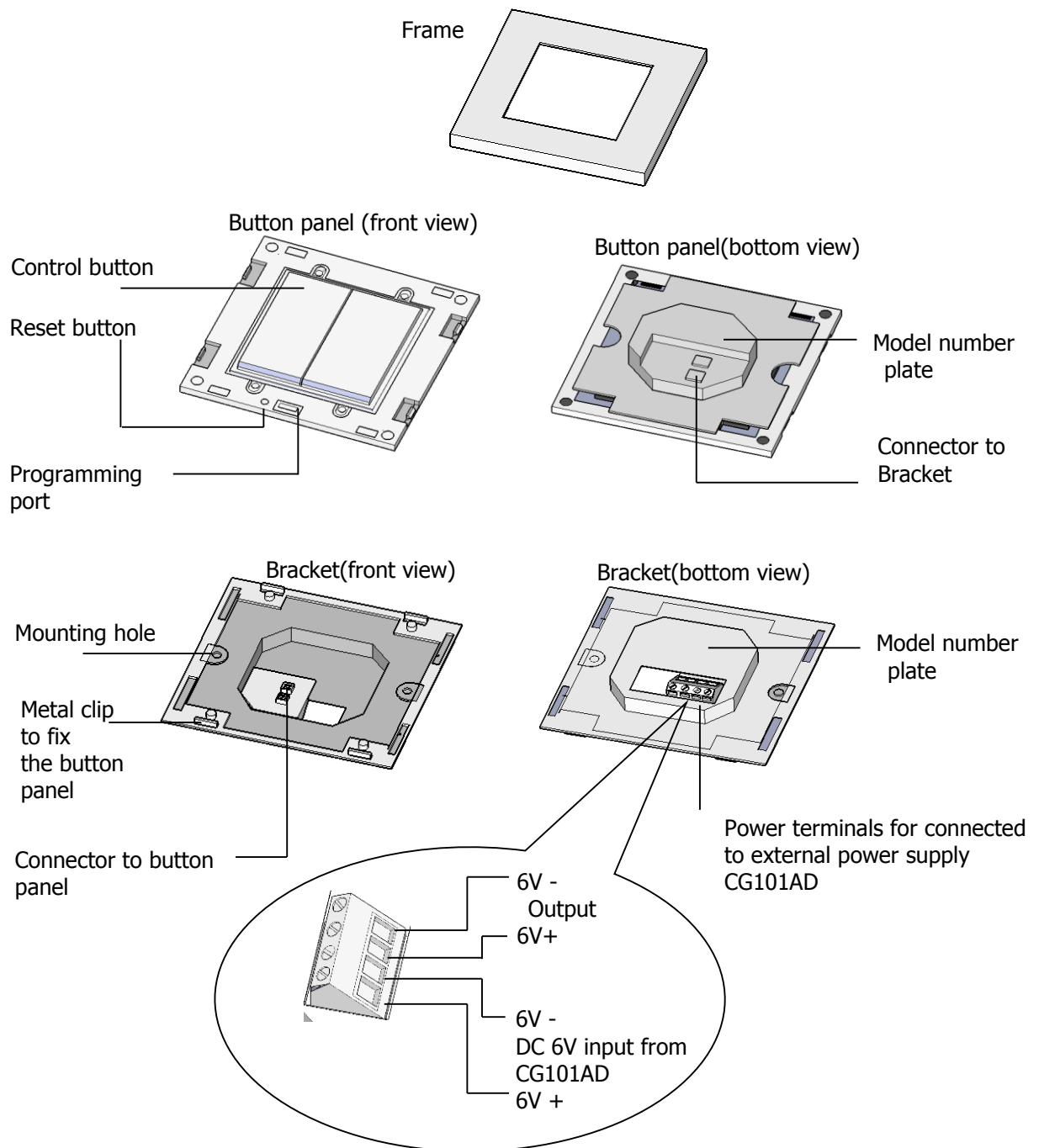
Thank you for buying Citygrow's product. CG800 Series is both powerful and easy to use and install. These products are specially designed for Home Automation application.

Description

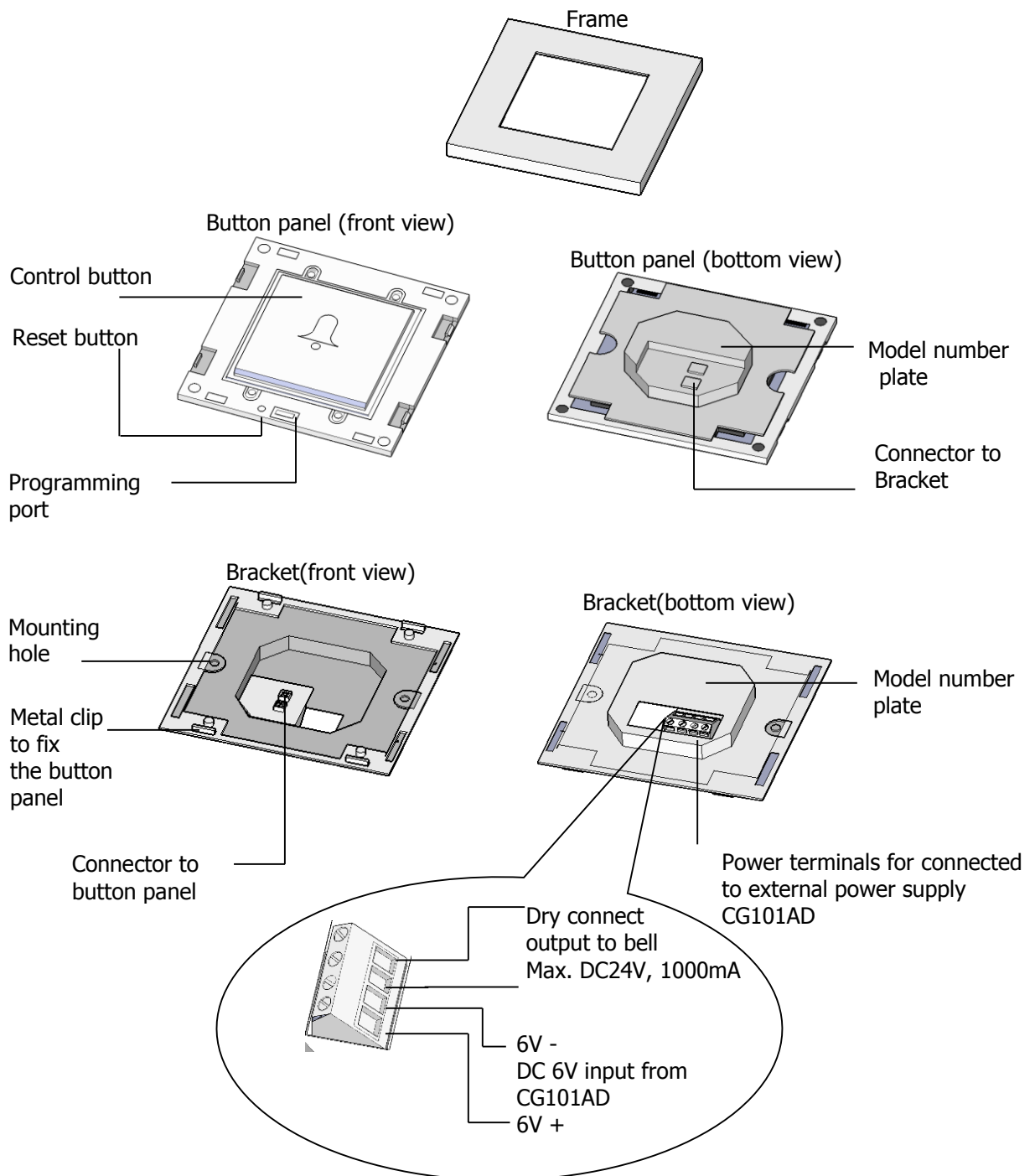
1. ZigBee wireless remote control.
2. Based on IEEE 802.15.4.
3. 2.4GHz radio frequency.
4. LED backlight indicator for on/off status.
5. CG800H1-MD, CG800H2-MD main function is to preset lighting scenes.
6. CG800HHB is for doorbell switch function. If for hotel application, DND and Clean room indicators are provided.
7. Working with CG102IR, lighting scene is able to include IR control.
8. Working with CG400 series switch or dimming modules to control different types of lamp.
9. Control button can be configured to become two way function.
10. Control button can be configured to become scene function.
11. Support iPhone, iPad and Android mobile control if CG102BS Base Station is purchased.
12. Control button graphics can be tailor-made per customer requirement.
13. Mounted in a standard UK wall box.
14. Easy to install.
15. Operated by external DC6V Mini Power Supply CG101AD. (purchase separately). CG101AD should be installed together with CG100H series inside the UK wall box BS4662.

2. Understanding of the product

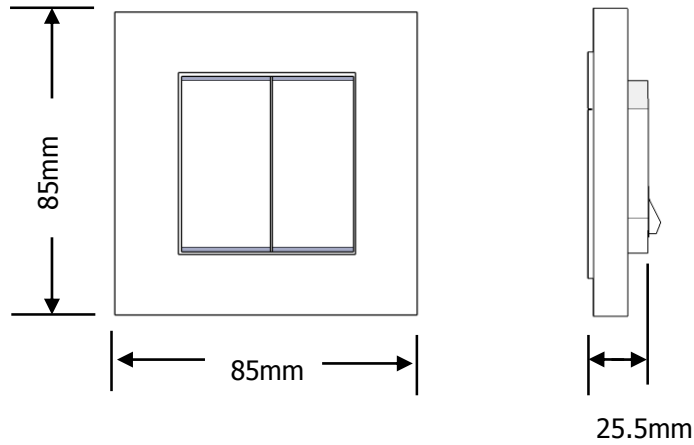
2.1. CG800H1-MD, CG800H2-MD



2.2. CG800HHB

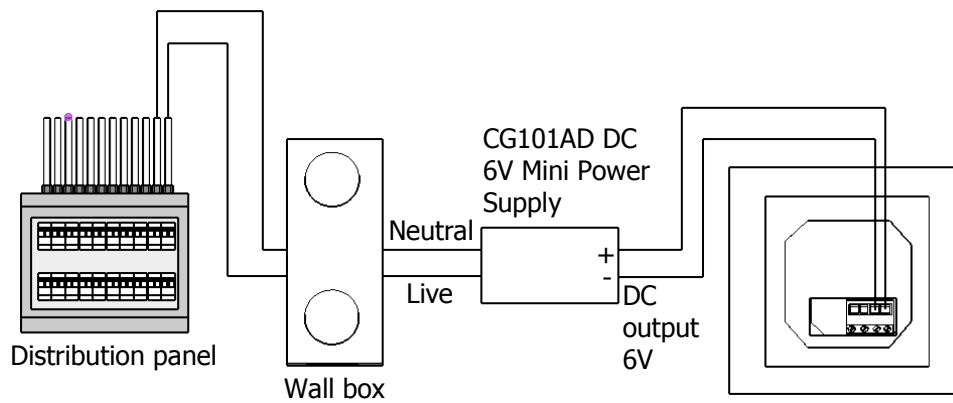


3. Dimensions

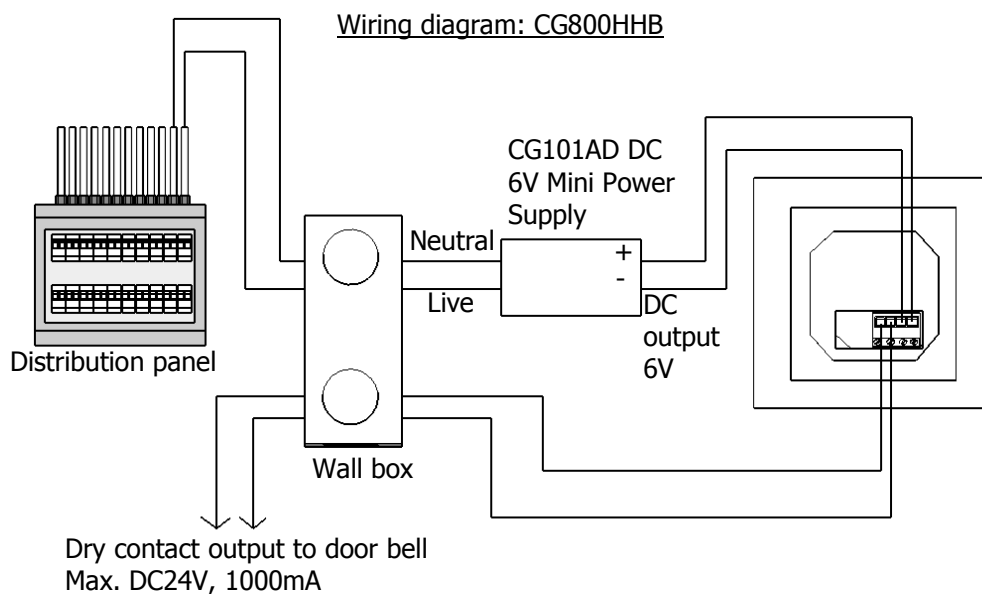


4. Wiring

4.1. CG800H1-MD, H2-MD



4.2. CG800HHB



Before getting started



WARNING! It must be installed by a qualified electrician in accordance with all applicable regulations and building codes. Improper wiring can result in personal injury or damage to control units or other equipment. Always turn off circuit breaker or remove main fuse from power line before doing any work. To avoid overheating and possible damage to equipment.



WARNING! Do not operate when any lamps removed or burned out; replace any burned out lamps immediately; use only transformers that incorporate thermal protection or fused primary windings. ! This product is designed for residential and commercial use, for indoor use only.



WARNING! Install in accordance with all national and local electrical codes.



IMPORTANT! Citygrow® is not liable for any damage incurred with the misuse of this product.

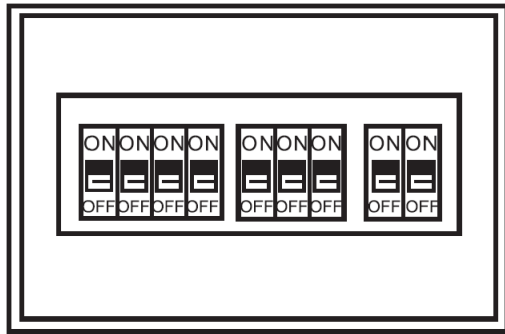


IMPORTANT! Pre-setup can only be done by a professional worker or manufacturer agent.

5. Installation

In order to install the product correctly, please follow the below steps:

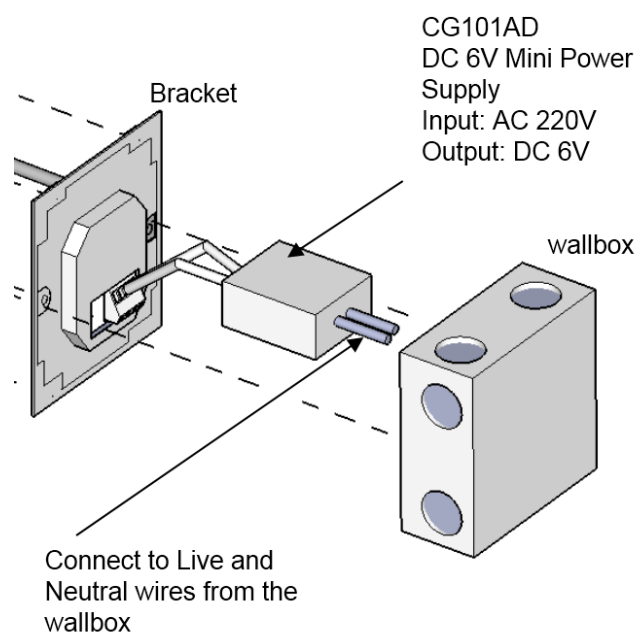
STEP 1: IMPORTANT! Turn off main power at the main switch board.



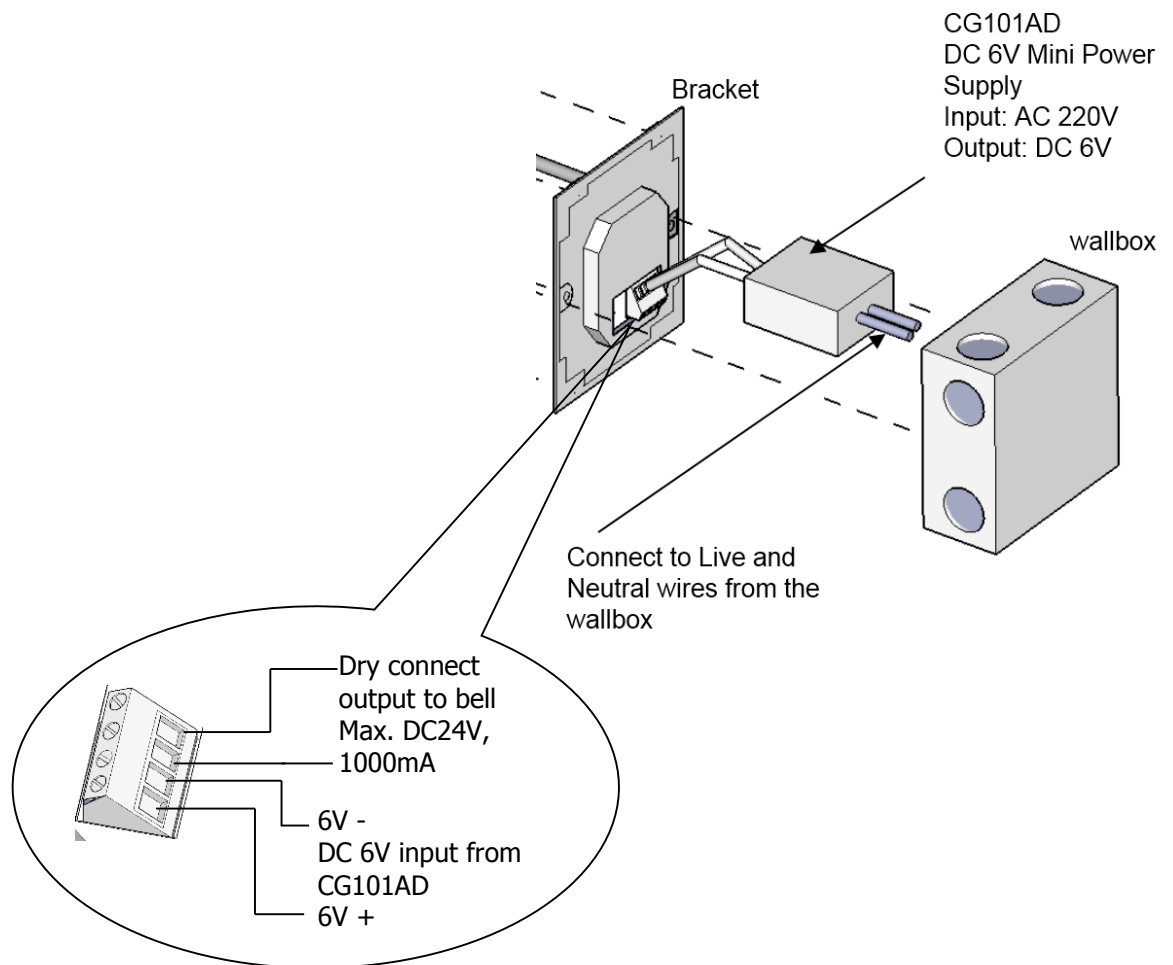
STEP 2: Loosen the screws of the original wall switch. Remove the switch and disassemble the wiring.

STEP 3: Connect the main power cable to the Live and Neutral terminals of the CG101AD Mini Power Supply, and then connect the DC output wires of the CG101AD to the DC input of CG800H Series.

Case 1: For CG800H1-MD, H2-MD

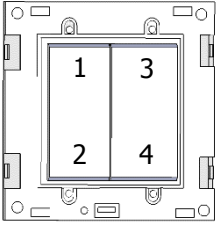
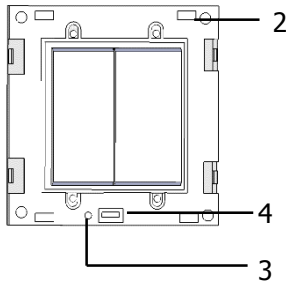


Case 2: For CG800HHB - connect the doorbell according to the following ...



6. Operation instruction

6.1. CG800H1-MD, H2-MD

	<p>1. 1, 2, 3, 4 are button locations.</p>
	<p>2. 4 pcs locks to fix the main unit onto the wall bracket.</p> <p>3. Reset button</p> <p>4. Program port</p>

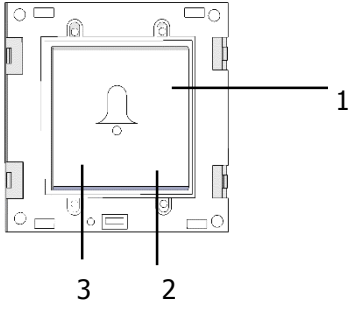
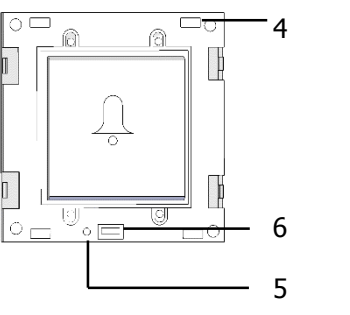
Button 1, 2, 3, 4 can be programmed to be ON/OFF function, or Dim up/ Dim Down or Scene function. It can be programmed via HomeNET Planner Software.

Push these button to activate the function.

The backlit icons on the button will light up

- LED **ON** indicates the Function is ON.
- LED **OFF** indicates the Function is OFF.

7. CG800H2B, Doorbell switch

	<ol style="list-style-type: none"> 1. Doorbell button. 2. Clean Room Indicator (For Hotel Only) 3. Do Not Disturb (For Hotel Only)
	<ol style="list-style-type: none"> 4. 4 pcs locks to fix the main unit onto the wall bracket. 5. Reset button 6. Program port

When Doorbell button is pressed, the dry contact output for bell will be momentary on for 1 second, during this 1 second duration, the bell will be driven on and doorbell will ring for 1 second.

If CG800H2B is selected to be used for hotel project, see diagram above, the Do Not Disturb or Clean Room LED indicator can be programmed to be switched on when the preselected button on a CG800H2-MD panel is being pressed down.

For home use, this product should be programmed by HomeNET Planner software. For Hotel use, this product will be custom programmed in factory.

Push the Doorbell button to activate the doorbell function, the backlit icons on the button will light up

- LED **ON** indicates the Function is ON.
- LED **OFF** indicates the Function is OFF.

8. Adding the product to your Home Wireless ZigBee Network

<p>The diagram illustrates the connection process in three steps: <ol style="list-style-type: none"> An arrow labeled '2' points from the 5-pin connector of the CG101UT5 cable to the product's programming port. An arrow labeled '2' points from the mini USB end of the CG101UT5 cable to the mini USB end of the CG101UTC cable. An arrow labeled '3' points from the USB end of the CG101UTC cable to the USB port of a laptop. </p>	<p>STEP 1</p> <p>Open the front cover, you will see a 5 pin connector programming port.</p> <p>STEP 2</p> <p>Plug the CG101UT5 cable into the 5 pin connector of the product, and then plug the other end of the CG101UT5 cable into the mini USB end of the CG101UTC cable.</p> <p>STEP 3</p> <p>Plug the CG101UTC cable into the USB port of a PC that is installed with Citygrow's HomeNET Planner Software.</p> <p>STEP 4</p> <p>Refer to the user manual of "HomeNET Planner" Software to program and set the address of the product.</p>
---	--

9. Clear Memory

Clearing the memory inside of the product will result in:

1. The product will no longer reply to any Panels that it had previously bound to.
2. The product will no longer reply to any Remotes that it had previously bound to.

In order to perform the Clear Memory function, please follow the below steps:

	<p style="text-align: center;">STEP 1</p> <ul style="list-style-type: none"> - Press and HOLD anyone of the ON/OFF Button.
	<p style="text-align: center;">STEP 2</p> <ul style="list-style-type: none"> - CONTINUE holding onto the ON/OFF Button. - Press and release the Reset Button once.
	<p style="text-align: center;">STEP 3</p> <ul style="list-style-type: none"> - Wait until the LED Indicator begins BLINKING. - Release the ON/OFF Button.

	<p>STEP 4</p> <ul style="list-style-type: none">- Press and release the ON/OFF Button again to stop blinking.
	<p>STEP 5</p> <ul style="list-style-type: none">- Press and release the Reset Button.- The memory inside of the product has now been cleared.

10. Specification

	CG800H1-MD	CG800H2-MD		CG800HHB
Description	Scene Control Panel, 1 Scene	Scene Control Panel, 4 Scenes		Doorbell Switch
Function	<ol style="list-style-type: none"> 1. 1 preset lighting scene. 2. Lighting scenes is able to include IR control. 3. Max. 150 devices included in a scene. 4. Minimum dimming level preset. 5. Memory dim function. 6. Two way control function. 7. LED backlight. 	<ol style="list-style-type: none"> 1. 4 preset lighting scenes. 2. Lighting scenes is able to include IR control. 3. Lighting scenes is able to include curtain control. 4. Max. 150 devices included in a scene. 5. Minimum dimming level preset. 6. Memory dim function. 7. Two way control function. 8. LED backlight. 		<ol style="list-style-type: none"> 1. Build-in contactor to drive DC door bell (Max. DC24V, 1000mA) 2. LED backlight 3. Support two way function, ie different doorbell switch can be located at different locations.
	Remarks:	<ol style="list-style-type: none"> 1. When up button is used for dimming up function, the down button cannot be programmed as scene function. 2. Maximum number of devices programmed into the whole product is limited to 150 devices. 		
Maximum current consumption	300mA max.	300mA max.		300mA max.
Power supply	DC6V Powered by CG101AD DC 6V Mini Power Supply	DC6V Powered by CG101AD DC 6V Mini Power Supply		DC6V Powered by CG101AD DC 6V Mini Power Supply
RF frequency	2.4GHZ	2.4GHZ		2.4GHZ
Remote control distance (M, line of sight)	100M	100M		100M
Dimensions mm (Length x Width x Depth)	85x85x25.5	85x85x25.5		85x85x25.5
Recommended operation temperature	0 to 40 degC	0 to 40 degC		0 to 40 degC