

# CG800H Series Installation guide

## Ratings

### Main unit

Operation Voltage DC 6V  
Current consumption 300mA

Power supply: Citygrow CG101AD Mini Power Supply



CG101AD Mini Power Supply  
Input: AC 100 to 277V, 50/60HZ  
Output: DC 6V, 600mA

## Before getting started

**WARNING!** The product must be installed by a qualified electrician in accordance with all applicable regulations and building codes. Improper wiring can result in personal injury or damage to control units or other equipment. Always turn off circuit breaker or remove main fuse from power line before doing any work. To avoid overheating and possible damage to equipment.

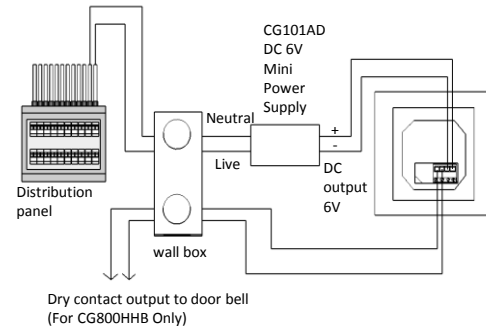
**WARNING!** Do not operate control units with any lamps removed or burned out; replace any burned out lamps immediately; use only transformers that incorporate thermal protection or fused primary windings. ! The product is designed for residential and commercial use, for indoor use only.

**WARNING!** Install in accordance with all national and local electrical codes.

**IMPORTANT!** Citygrow® is not liable for any damage incurred with the misuse of this product.

**IMPORTANT!** Pre-setup can only be done by a professional worker or manufacturer agent.

## Installation instruction Wiring diagram



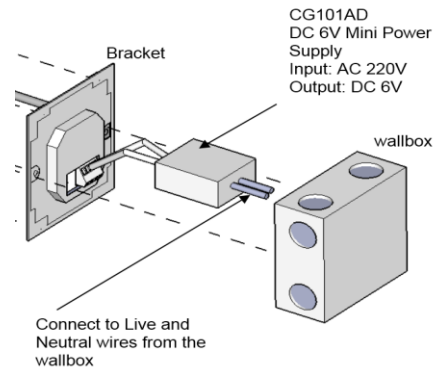
**STEP 1: IMPORTANT!** Turn off main power at the main switch board



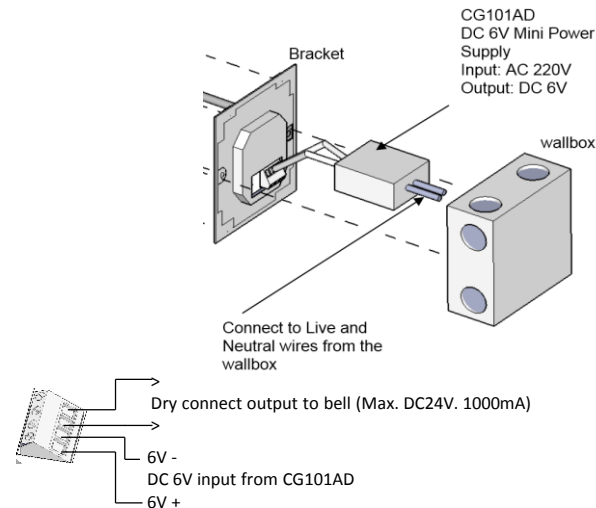
**STEP 2:** Loosen the screws of the original wall switch. Remove the switch and disassemble the wiring.

**STEP 3:** Connect the main power cable to the Live and Neutral terminals of the CG101AD Mini Power Supply, and then connect the DC output wires of the CG101AD to the DC input of CG100H Series

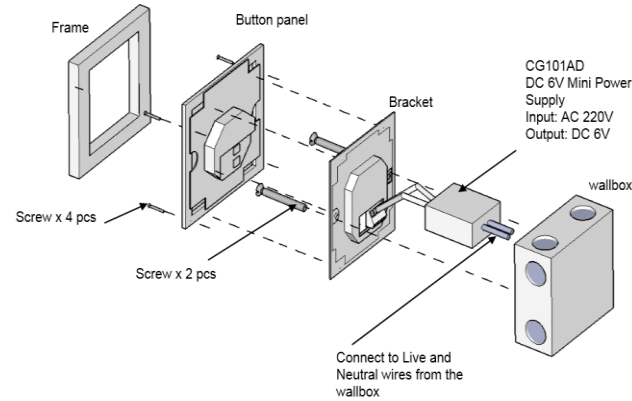
Case 1: For CG800H1-MD, H2-MD



Case 2: For CG800HHB - connect the doorbell according to the following



**STEP 4:** Fasten the screws of all terminals and check that the wires are properly secured. Retrofit the bracket of CG800H series into the standard switch box and mount it on the wall by fastening the two screws in the wall box.



**STEP 5:** Power up the main switch board, the LED indicators on CG100H series will be lighted up. Since the CG800H is not programmed and setup by HomeNET planner software at this moment, the product buttons will not function at this stage.

### Notes:

Use standard UK wall box BS4662; minimum 35mm deep. During installation of the wall box, it is recommended to embed the wall box deeper inside the wall in order to give more room to install the product. The room inside is recommended to have 50mm deep.

### Details:

- For detail operation and specification, please refer to user manual and product specification.
- For detail programming of the product, please refer to HomeNET Planner Software user manual.

### Disclaimers and Copyright

Nothing contained in this publication is to be construed as granting any right, by implication or otherwise, for the manufacture, sale, or use in connection with any method, apparatus, or product covered by letters patent, or as insuring anyone against liability for infringement of letters patent. Efforts have been made to ensure the accuracy and reliability of the data contained in this publication; however, Citygrow Energy Systems Limited. makes no representation, warranty, or guarantee in connection with this publication and hereby expressly disclaims any liability or responsibility for loss or damage resulting from its use or from the use of any product or methodology described herein; for any violation of any federal, state, or municipal regulation with which this publication may conflict; or for the infringement of any patent from the use of this publication. Nothing contained in this publication should be viewed as an endorsement by Citygrow Energy Systems Limited. of any particular manufacturer's products.