



CG800 Series Installation guide

Model Number and Ratings

****See product spec. for details****

Operation Voltage	AC 220 to 240V	
CG800S1xx	MAX. LOAD	MIN. LOAD
CG800S2xx	2000W	NA
CG800DMxx	1000W X 2	NA
CG800DM2xx	600W	5W
CG800S2xx-CCP	300W X 2	5W / GANG
CG800S4xx-CCP	300V	NA
	300VA X 2	NA

Before getting started

WARNING! The product must be installed by a qualified electrician in accordance with all applicable regulations and building codes. Improper wiring can result in personal injury or damage to control units or other equipment. Always turn off circuit breaker or remove main fuse from power line before doing any work. To avoid overheating and possible damage to equipment.

WARNING! Do not operate control units with any lamps removed or burned out; replace any burned out lamps immediately; use only transformers that incorporate thermal protection or fused primary windings. ! The product is designed for residential and commercial use, for indoor use only.

WARNING! Install in accordance with all national and local electrical codes.

IMPORTANT! Citygrow® is not liable for any damage incurred with the misuse of this product.

IMPORTANT! Pre-setup can only be done by a professional worker or manufacturer agent.

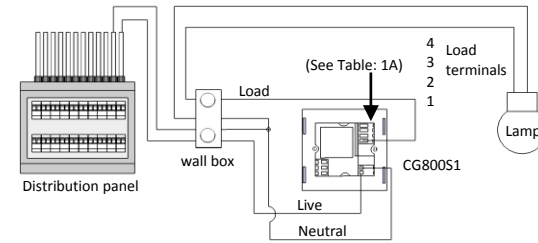
Installation instruction

Wiring diagram

CG800S1xx, CG800S2xx, CG800S4xx, CG800DMxx, CG800DM2xx

Situation 1: Live, Neutral and Load wires are ready at wall box

Notes: The Neutral wire of load is closely connected to the Neutral point of CG800.



Situation 2: Neutral wire is only ready at ceiling.

Notes: The Neutral wire of load is closely connected to the Neutral point of CG800.

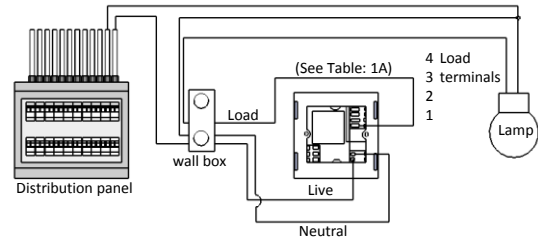


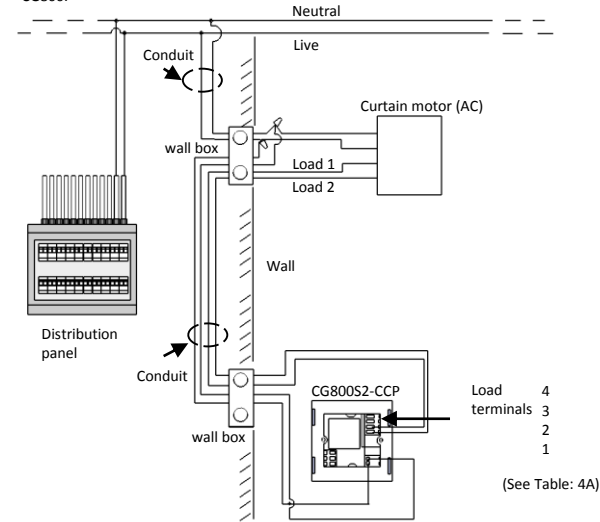
Table: 1A

Load terminals	1	2	3	4
CG100S1 One Gang Switch	Load1	NC	NC	NC
CG100S2 Two Gang Switch	Load1	Load2	NC	NC
CG100S4 Four Gang Switch	Load1	Load2	Load 3	Load 4
CG800DM One Gang Dimmer	Load1	NC	NC	NC
CG800DM2 Two Gang Dimmer	Load1	Load2	NC	NC
CG800S2-CCP One Gang Curtain Control Switch	Motor 1 Forward	Motor 1 Backward	NC	NC
CG800S4-CCP Two Gang Curtain Control Switch	Motor 1 Forward	Motor 1 Backward	Motor 2 Forward	Motor 2 Backward

Wiring diagram

CG110S2xx-CCP, CG110S4xx-CCP

Notes: The Neutral wire of load is closely connected to the Neutral point of CG800.



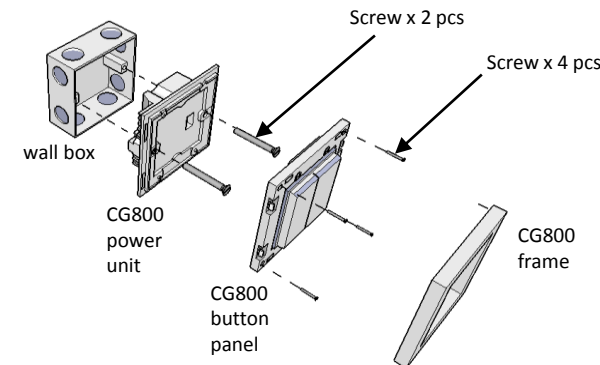
STEP 1: IMPORTANT! Turn off main power at the main switch board.



STEP 2: Loosen the screws of the original wall switch. Remove the switch and disassemble the wiring.

STEP 3: Connect the main power cable to the Live and Neutral terminals and the load cable to the Load terminals at the rear cabinet of the product.

STEP 4: Fasten the screws of all terminals and check that the wires are properly secured. Retrofit the switch into the standard switch box and mount it on the wall by fastening the two screws at the rear of the switch box.



STEP 5: Push the ON/OFF Button to test whether the wiring has been connected correctly. If the ON/OFF Button does not function as expected, please check the wiring connection again.

Notes: Use standard UK wall box BS4662; minimum 35mm deep. During installation of the wall box, it is recommended to embed the wall box deeper inside the wall in order to give more room to install the product. The room inside is recommended to have 50mm deep.

Details:

1. For detail operation and specification, please refer to user manual and product specification.

2. For detail programming of the product, please refer to HomeNET Planner Software user manual.

www.Citygrowsys.com

Nothing contained in this publication is to be construed as granting any right, by implication or otherwise, for the manufacture, sale, or use in connection with any method, apparatus, or product covered by letters patent, or as insuring anyone against liability for infringement of letters patent. Efforts have been made to ensure the accuracy and reliability of the data contained in this publication; however, Citygrow Energy Systems Limited. makes no representation, warranty, or guarantee in connection with this publication and hereby expressly disclaims any liability or responsibility for loss or damage resulting from its use or from the use of any product or methodology described herein; for any violation of any federal, state, or municipal regulation with which this publication may conflict; or for the infringement of any patent from the use of this publication. Nothing contained in this publication should be viewed as an endorsement by Citygrow Energy Systems Limited. of any particular manufacturer's products.