



SkyNET 2000 Installation guide

Model Number and Ratings

****See product spec. for details****

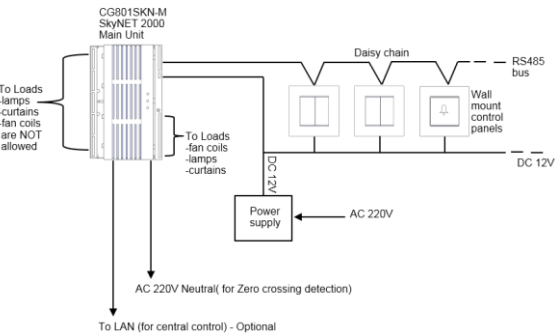
Main Unit and Extension Unit

Main unit	CG800SKN-M	CG800SKN-E
Operation Voltage	DC 12V	DC 12V
Dry contact input	5	5
RS485 connections	2	2
LAN	1 (Optional)	Nil
Relay/ DM card slot	5	5
8 CH Relay card slot	1	1
Max. no. of panel	32	32
Max. no. of Extension unit	7	Nil

Relay card	CG801SW4	CG801SW8
Voltage	AC 230V	AC 230V
No. of channel	4	8
Ratings/channel	1000W	1000W

Dimmer card	CG801DM2	CG801FL2
Voltage	AC 230V	AC 230V
No. of channel	2	2
Max. Load	800W/two channel	1000W/channel
Sink current	Nil	1-10V 25mA per channel

Wall mount panel System wiring and requirement



Before getting started

WARNING! SKYNET2000 must be installed by a qualified electrician in accordance with all applicable regulations and building codes. Improper wiring can result in personal injury or damage to control units or other equipment. Always turn off circuit breaker or remove main fuse from power line before doing any work. To avoid overheating and possible damage to equipment.

WARNING! Do not operate control units with any lamps removed or burned out; replace any burned out lamps immediately; use only transformers that incorporate thermal protection or fused primary windings. ! SKYNET2000 are designed for residential and commercial use, for indoor use only.

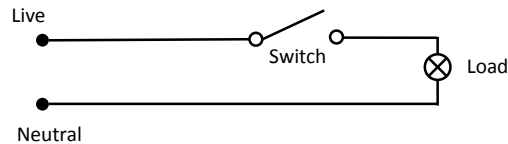
WARNING! Install in accordance with all national and local electrical codes.
IMPORTANT! Citygrow® is not liable for any damage incurred with the misuse of this product.

IMPORTANT! Pre-setup can only be done by a professional worker or manufacturer agent.

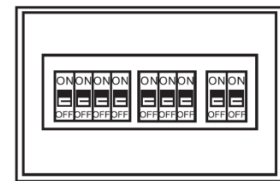
Installation instruction

Step 1. Test the loads for short circuit

1. Turn OFF electrical power at the circuit breaker board.
2. Connect a standard light switch between the live lead load wire.
3. Turn ON electrical power and check for short circuit or open circuit.

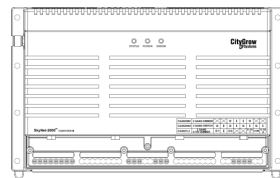


Step 2. Turn off the main power at the main switch board

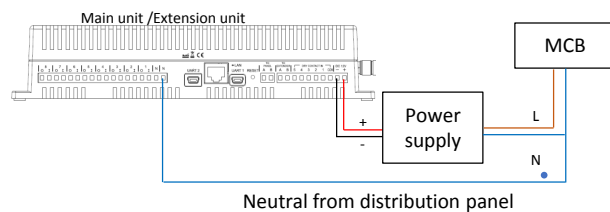


Step 3. Connection of the Main Unit/ Extension Unit

1. Fix the SkyNET main unit where you want to install



2. Connect the power supply 220V AC to provide power adaptor (DC 12V 5A) to the main unit/ extension unit DC 12V - +. Make sure that the positive and negative DC does not REVERSE. Each Main unit or Extension unit needs to connect with an individual power supply.

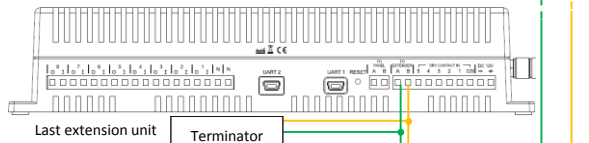
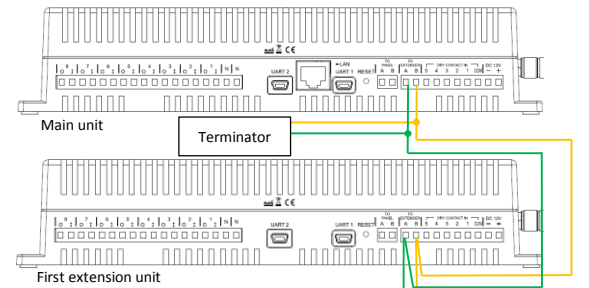


3. Connect the AC NEUTRAL to each main unit or extension unit.

4. If you have both main unit and extension unit(s), connect them by using wherein one pair of Belden 8723 cable in Daisy-chain to the terminal "TO EXTENDER A B" on main unit and extension unit(s).
NOTE: If there is only main unit, NO terminator resistor(120 ohm) is needed to be connected to the "TO EXTENDER A B"

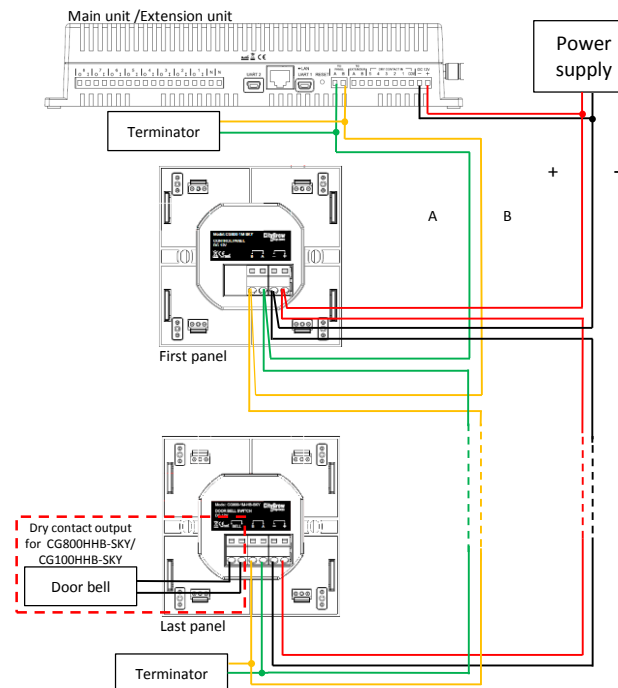
5. Connect 2 Terminators(120 ohm) on the main unit and the last extension unit Terminal "TO EXTENDER A B" respectively.

NOTE: Make sure that two Terminators are connected in one pair RS485 network. One is at the beginning and another is at the end. In the case that there is an extension unit, one Terminator is on the main unit, whereas another one is on the last extension unit.

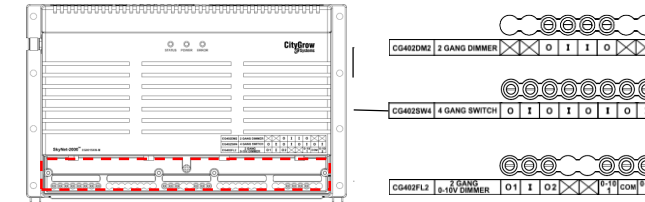


Step 4. Connection for control panel

1. Fix the SkyNET Panel where you want to install
2. Connect the power DC 12V to control panel in daisy-chain from the same main unit/ extension unit power supply. Make sure the positive and negative DC does not REVERSE.
3. Connect the control panel wherein one pair of Belden 8723 cable. Daisy-chain the Belden 8723 cabling to Terminal "A B" on main unit and panel(s).
4. Connect the 2 Terminators on the main unit and the last panel Terminal "A B" respectively.
NOTE: Make sure that two Terminators are connected in one pair RS485 network. One is at the beginning and another is at the end. In this case, one is on the main unit and another is on the last panel.

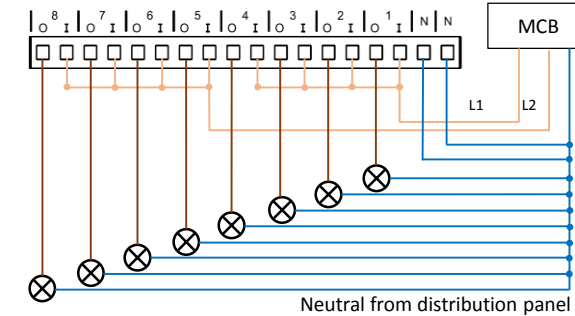


Step 5. Connect to the load

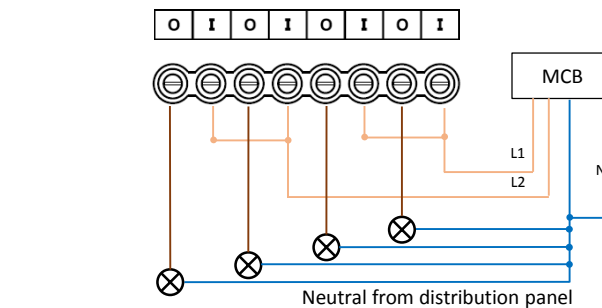
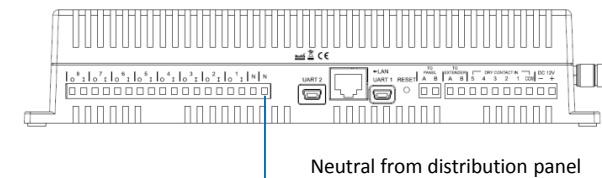


"I" stands for INPUT and "O" stands for OUTPUT

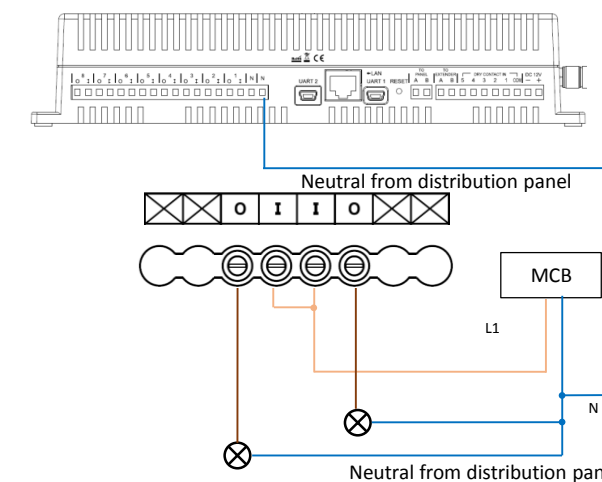
1. CG801SW8 is a 8 channel relay card. The LIVE input of this card must be in SAME PHASE. Please make sure the terminal "N" is connected the neutral.



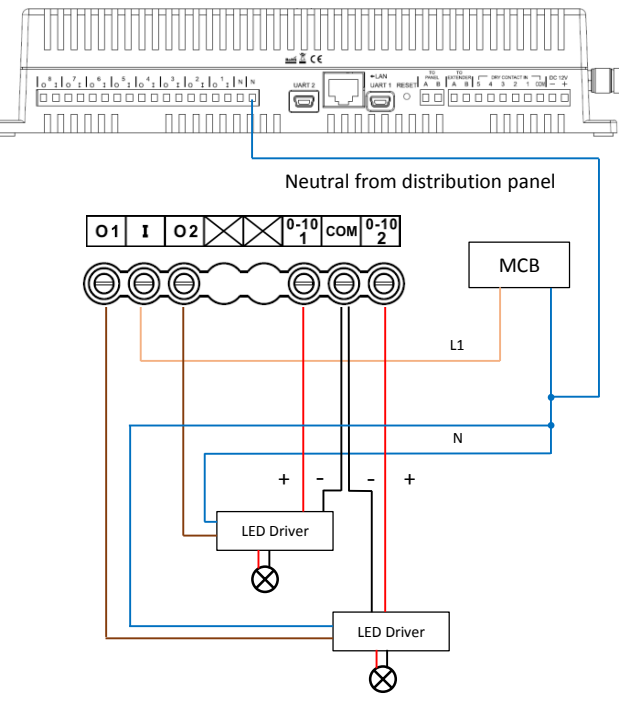
2. CG801SW4 is a 4 channel relay card. The LIVE input of this card must be in SAME PHASE.



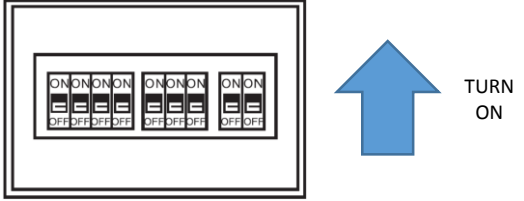
3. CG801DM2 is a 2 channel dimmer card. This dimmer card ONLY have ONE LIVE input.



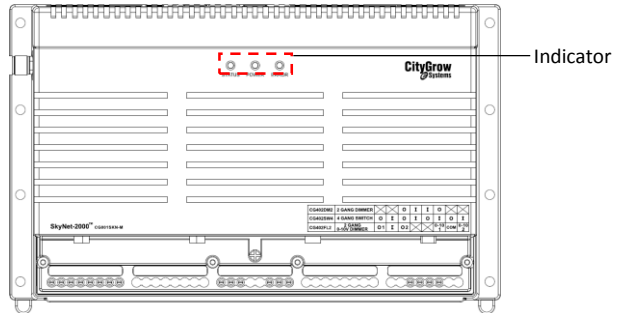
3. CG801FL2 is a 2 channel 1-10V dimmer card. This dimmer card ONLY have ONE LIVE input.



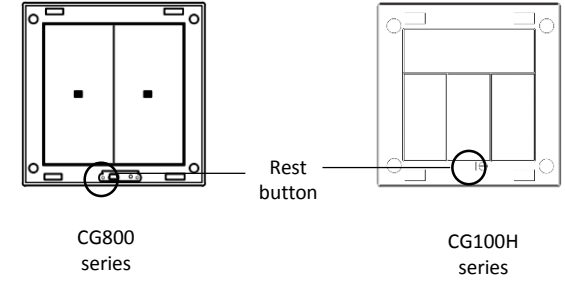
Step 6. Turn ON the main power at the main switch board



Step 7. Check the power of the main unit and all panels. For main unit, the indicator should be flashing.

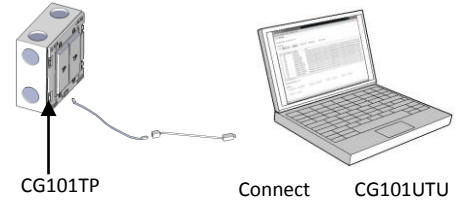


For panel, press the reset button and the panel should flash once.



Step 8. Use CG101TP-SKY Tools panel to program the system

1. Replace the Tools Panel to any one of wall mount panel. Connect the CG101UTU and CG101UT5 cable to a PC that installed with SkyNET Planner Software.

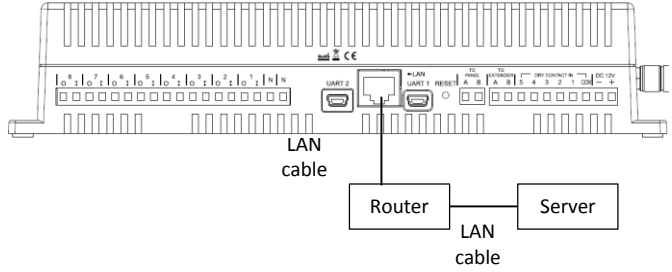


Connect CG101UTU and CG101UT5 cable from the PC to the 5 pin connector of The CG101TP-SKY Tools panel.

2. Run the "SkyNET planner" in the PC. For details, please refer to the SkyNET planner user manual.

Step 9. Connect to Ethernet and Server (Option)

1. If you have bought the LAN option, there will be a LAN card (CG801LN) installed in the SkyNET Main Unit.
2. Plug the LAN cable into the LAN port
3. Plug another side of the LAN cable to a router



4. The indicator of the LAN port will be ON
5. For details of "Server client", please refer to the manual "SkyNET Server Client User Manual"



Disclaimers and Copyright

Nothing contained in this publication is to be construed as granting any right, by implication or otherwise, for the manufacture, sale, or use in connection with any method, apparatus, or product covered by letters patent, or as insuring anyone against liability for infringement of letters patent. Efforts have been made to ensure the accuracy and reliability of the data contained in this publication; however, Citygrow Energy Systems Limited. makes no representation, warranty, or guarantee in connection with this publication and hereby expressly disclaims any liability or responsibility for loss or damage resulting from its use or from the use of any product or methodology described herein; for any violation of any federal, state, or municipal regulation with which this publication may conflict; or for the infringement of any patent from the use of this publication. Nothing contained in this publication should be viewed as an endorsement by Citygrow Energy Systems Limited. of any particular manufacturer's products.

Copyright © 2012 Citygrow Energy Systems Limited, All Rights Reserved