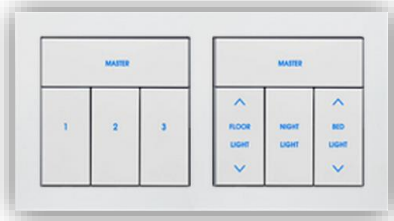


CG100H4-MD
4 Button Scene
Control Panel



CG100H8-MD
8 Button Scene
Control Panel



CG100HTH
CG100HTHV1
CG100HTH-IR
Thermostat



CG100HHB
Doorbell Switch



Standard color of button and frame available for purchase



Description

- ZigBee wireless remote control.
- Based on IEEE 802.15.4.
- 2.4GHz radio frequency.
- LED indicator for on/off status .
- CG100H4-MD and CG100H8-MD is for preset lighting scenes.
- Working with CG102IR ZigBee IR Transmitter, lighting scene is able to include IR control.
- Working with CG400 series switch or dimming modules to control different types of lamp.
- CG100HTHV1 Thermostat works with CG401S5V1-FSU Fan Coil Control Switch Module to work as a pair that the temperature sensor will be on the FCU.
- CG100HTH Thermostat works with CG401S5-FSU Fan Coil Control Switch Module to work as a pair that the temperature sensor will be on the Thermostat Panel
- CG100HTH-IR Thermostat works with CG102IR-AC to send IR codes to control the air-conditionar.
- Control button can be configured to become two way function.
- Control button can be configured to become scene function.
- Support iPhone, iPad and Android mobile control if CG102BS Base Station is purchased.
- Control button graphics can be tailor-made per customer requirement.
- Mounted in a standard UK wall box.
- Easy to install.
- Operated by external DC6V Mini Power Supply CG101AD (purchase separately). CG101AD should be installed together with CG100H series inside the UK wall box BS4662.

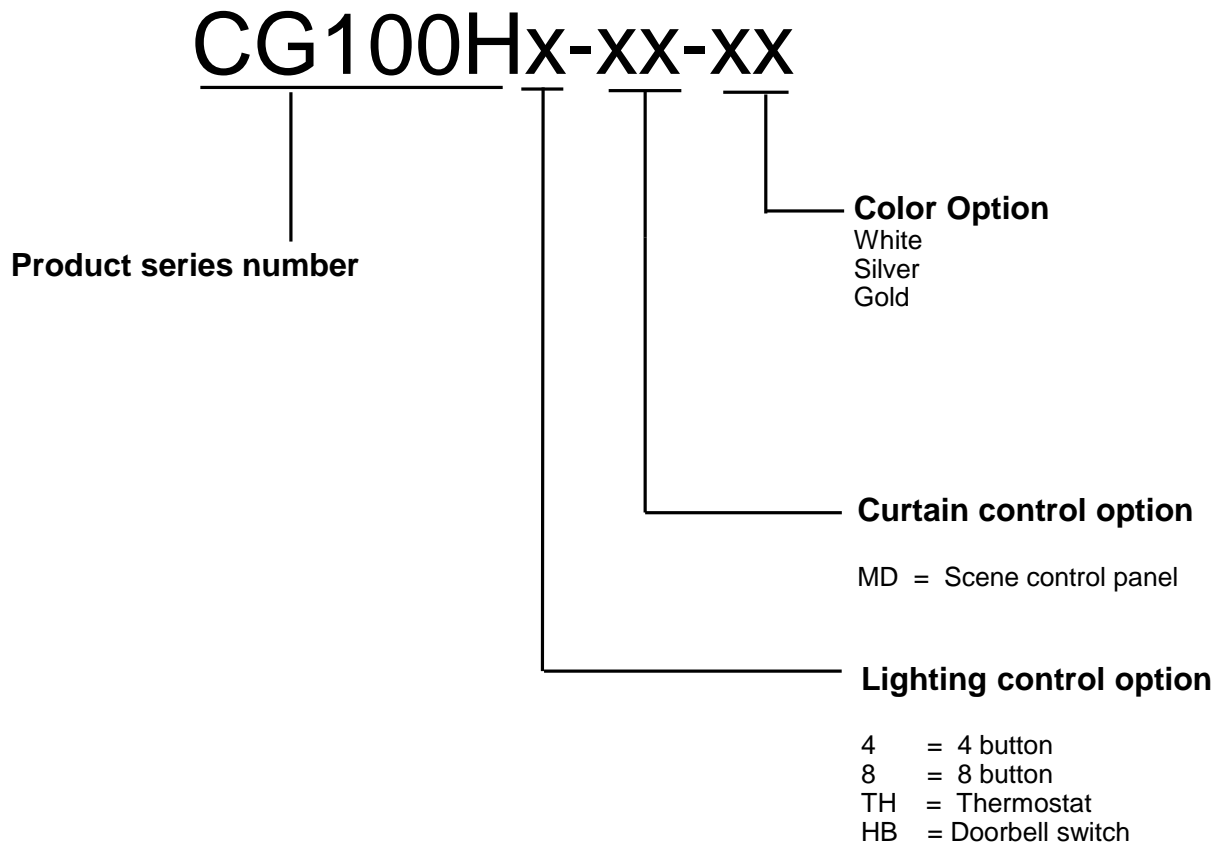


CG101AD, DC6V Mini Power Supply
Input AC110V – 220V
Output: DC6V

Specifications

	CG100H4-MD	CG100H8-MD	CG100HTH CG100HTHV1 CG100HTH-IR	CG100HHB
Description	4 Button Scene Control Panel	8 Button Scene Control Panel	Thermostat with sensor Thermostat without sensor	Doorbell Switch
Function	<ol style="list-style-type: none"> 8 preset lighting scenes. Lighting scenes is able to include IR control. Lighting scenes is able to include curtain control. Max. 150 devices included in a scene. Minimum dimming level preset. Memory dim function. Two way control function. LED backlight. 	<ol style="list-style-type: none"> 8 preset lighting scenes. Lighting scenes is able to include IR control. Lighting scenes is able to include curtain control. Max. 150 devices included in a scene. Minimum dimming level preset. Memory dim function. Two way control function. LED backlight. 	<ol style="list-style-type: none"> High, Mid, Low, cool, heat control. Temperature preset. Room temperature display. C /F selectable. Built-in temperature sensor. CG100HTH/CH100 HTHV1 Work with CG401S5-FCU Fan Coil Control Switch Module. CG100HTH-IR works with CG102IR-AC. LED backlight. Support two way function, ie. multiple CG100HTH control of single CG401S5-FCU Fan Coil Control Switch Module. 	<ol style="list-style-type: none"> Built-in contactor to drive ELV (low voltage) door chime. Dry contact output for connection to door chime, max. 1A, 24Vdc /ac. LED backlight Support two way function, ie. different doorbell switch can be located at different locations.
	Remarks: <ol style="list-style-type: none"> When up button is used for dimming up function, the down button cannot be programmed as scene function. Maximum number of devices programmed into the whole product is limited to 150 devices. 		Remarks: <ol style="list-style-type: none"> CG100HTHV1+CG401S5V1-FCU, sensor is located on FCU. CG100HTH+CG401S5-FCU, sensor is on panel 	Remarks: <ol style="list-style-type: none"> For hotel customer, DND and Clean room LED indicator is provided on CG100HHB.
Maximum current consumption	300mA max.	300mA max.	300mA max.	300mA max.
Power supply	DC6V Powered by CG101AD DC 6V Mini Power Supply	DC6V Powered by CG101AD DC 6V Mini Power Supply	DC6V Powered by CG101AD DC 6V Mini Power Supply	DC6V Powered by CG101AD DC 6V Mini Power Supply
RF frequency	2.4GHZ	2.4GHZ	2.4GHZ	2.4GHZ
Remote control distance (M, line of sight)	100M	100M	100M	100M
Dimensions mm (Length x Width x Depth)	85x85x28	85x85x28	85x85x28	85x85x28
Recommended operation temperature	0 to 40 degC	0 to 40 degC	0 to 40 degC	0 to 40 degC

How to Build a Model Number



FRAME SELECTION:

WHITE:CG100H-PF-WHITE

SILVER GREY:CG100H-PF-SILVER GREY

GOLD: CG100H-PF-GOLD