



CG102IR
CG102IR-AC
ZigBee IR Transmitter



IR extension cable (Not included)



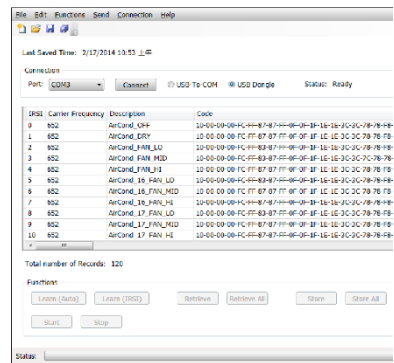
Power adaptor (included)



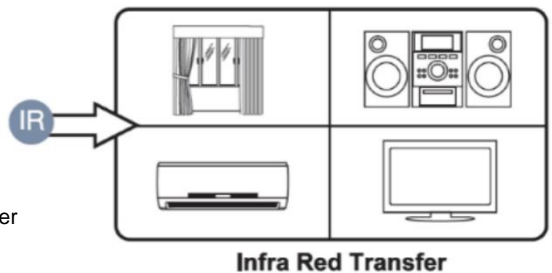
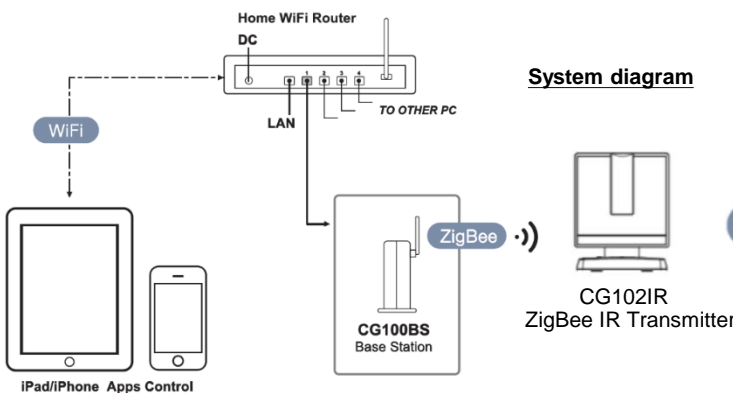
CG101AD Mini Power Supply (Not included)
for wall mounting condition

Description

- ZigBee wireless remote control.
- Based on IEEE 802.15.4.
- 2.4GHz radio frequency.
- IR learning function from original IR remote.
- IR learning via Citygrow's IR Master PC software.
- Work with Citygrow's CG102BS Base Station and HomeNET App.
- Mobile phone or tablet control for audio, video, A/C, DVD, TV, Amplifier and all kind of IR controlled equipment.
- Multi-room automation control is supported.
- Wall mounting on BS4662 wall box.
- Ceiling mount by supplied stand.
- Table stand by supplied stand.
- IR extension cable for hidden mounting.
- CG102IR-AC is designed for working with CG100HTH-AC thermostat panel.
- Powered by supplied AC/DC power adaptor.



IR Master PC Software
(For Learning of IR codes)



Specifications

Item	Specification
Power Supply	AC adaptor DC6V 1000mA
IR transmission range	10M
IR transmission angle	+/- 60 degree
Best IR learning distance	15 to 80mm from the IR learn LED
Maximum storage for IR learning code	60 codes
RF frequency	2.4GHZ
RF control distance (M, line of sight)	100M
Dimensions mm (Length x Width x Depth)	87x87x22
Recommended operation temperature	0 to 40 degC