

Description

- ZigBee wireless remote control.
- Based on IEEE 802.15.4.
- 2.4GHz radio frequency.
- External system interfaces with Citygrow's ZigBee devices through RS232/ZigBee interface.
- High speed and 2 way communications.
- High secured transmission AES128 Bit encryption.
- Through CG102RS232, you can centralize control and manage single ZigBee device, groups of ZigBee devices, such as lighting, A/C, curtain, AC outlet and IR AV control.
- Working with Citygrow's HomeNET App.
- LED indicator for power and status.
- Operated by external power adaptor (Included).
- Easy to install.

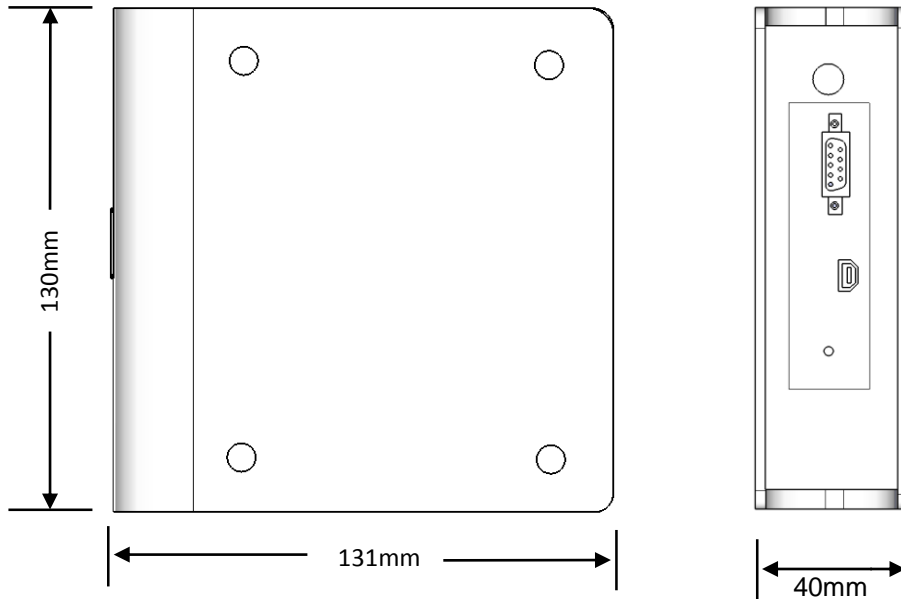


CG102RS232
ZigBee RS232 interface

Specifications

Item	Specification																														
Power requirement	Powered by external AC adaptor DC6V, 1A																														
ZigBee Wireless communication	<ul style="list-style-type: none"> • ZigBee wireless remote control. • Based on IEEE 802.15.4. standard • 2.4GHz radio frequency 																														
RS232 Serial interface	<p>Standard DB9 female connector</p> <div style="display: flex; align-items: center;"> <div style="margin-right: 20px;"> <p>RS232 female</p> </div> <div> </div> </div> <p>Figure 2-2 RS232 Interface connection between external system and ZBCA</p> <p>Table 2-1 Physical characteristics of the UART interface</p> <table border="1"> <thead> <tr> <th>PARAMETER</th> <th>MIN</th> <th>TYP</th> <th>MAX</th> <th>UNIT</th> </tr> </thead> <tbody> <tr> <td>Date Rate</td> <td>-</td> <td>57,600</td> <td>-</td> <td>bps</td> </tr> <tr> <td>Framing</td> <td colspan="4">8N1</td> </tr> <tr> <td>Hardware flow control</td> <td colspan="4">Nil</td> </tr> <tr> <td>Voltage Level of bit '0'</td> <td>+5</td> <td>12</td> <td>15</td> <td>V</td> </tr> <tr> <td>Voltage Level of bit '1'</td> <td>-15</td> <td>12</td> <td>-5</td> <td>V</td> </tr> </tbody> </table>	PARAMETER	MIN	TYP	MAX	UNIT	Date Rate	-	57,600	-	bps	Framing	8N1				Hardware flow control	Nil				Voltage Level of bit '0'	+5	12	15	V	Voltage Level of bit '1'	-15	12	-5	V
PARAMETER	MIN	TYP	MAX	UNIT																											
Date Rate	-	57,600	-	bps																											
Framing	8N1																														
Hardware flow control	Nil																														
Voltage Level of bit '0'	+5	12	15	V																											
Voltage Level of bit '1'	-15	12	-5	V																											
Operational temperature	0 deg C to 40 deg C																														
Humidity	5% to 95% non-condensing																														
Storage	-20 deg C to 70 deg C																														
Dimension L X W x D (mm)	130x131x40																														

Dimensions



Understanding of the product

