



CG111S1
One Gang Switch



CG111S2-CCP
One Gang Curtain
Control Switch,



CG111S1H2
Scene Control Panel



CG111S2
Two Gang Switch



CG111S1
One Gang Switch



CG111DM
One Gang Dimmer



CG111HB
Door Bell Switch

Mounting:

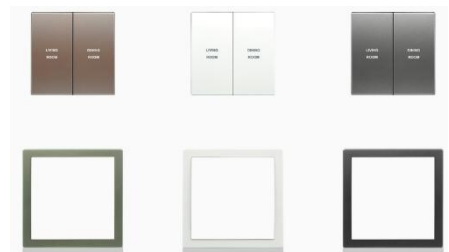


FRENCH wall box

Description

- CG111 Series is specially designed to be fitted into French type wall box.
- ZigBee wireless remote control.
- Based on IEEE 802.15.4.
- 2.4GHz radio frequency.
- CG111S1, S2, DM is for lighting control
- CG111S2-CCP is for control of electronic curtain or motorized window blind.
- CG111S1H2 is scene control panel to provide 4 scene settings.
- CG111HB is door bell switch.
- Load/ loads are directly driven by the built-in driver.
- Control button can be configured to become two way function.
- Support iPhone, iPad and Android mobile control if CG102BS Base Station is purchased.
- Control button graphics can be tailor-made per customer requirement.
- No EIB / Bus required
- Easy to install.

Standard color of button and frame available for purchase



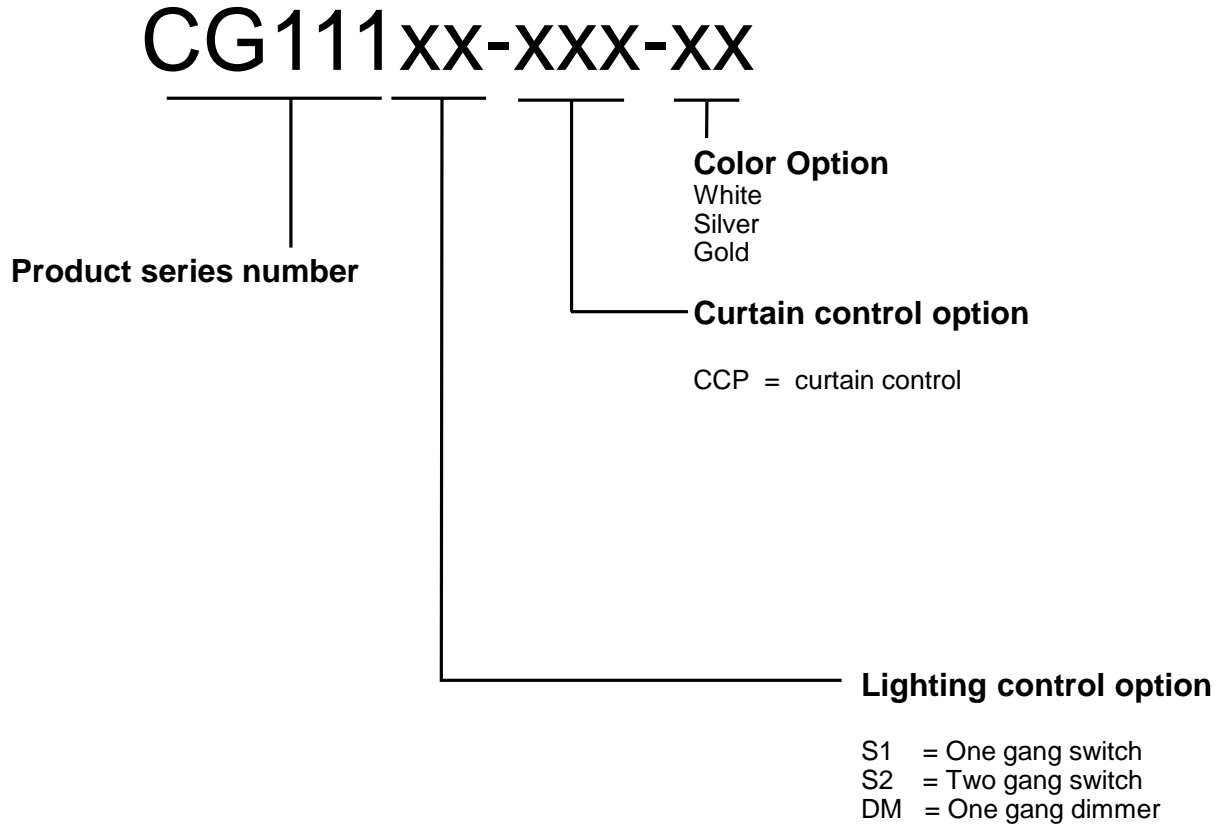
Specifications

	CG111S1	CG111S2		CG111DM		CG111S2-CCP	
Description	One Gang Switch	Two Gang Switch		One Gang Dimmer (Leading Edge Dimming)		One Gang Curtain Control Switch	
Operating voltage	AC220-240V, 50Hz						
Maximum number of devices included in scene setting** (Remarks 1, 2)	50	50		50		NO	
**Remarks: 1. When up button is used for dimming up function, the down button cannot be programmed as scene function 2. Maximum number of devices programmed into the whole product is limited to 50 devices 3. The maximum load requirements for fluorescent, CFL and LED loads can vary greatly depending upon the specific fixture and /or bulb being used. 4. When dimming transformer is connected to CG111, make sure "dimmable" and "leading edge" type is used. Furthermore, the dimming performance varies greatly from manufacturer to manufacturer of the bulb and the dimming transformer. It is recommended to test the matching performance before mass deployment.							
Minimum dimming level setting	NO	NO		YES		NO	
Memory dim function	NO	NO		YES		NO	
Two way control function	YES	YES		YES		YES	
RF frequency	2.4GHZ	2.4GHZ		2.4GHZ		2.4GHZ	
Remote control distance (M, line of sight)	100M	100M		100M		100M	
Dimensions mm (Length x Width x Depth)	85x85x42	85x85x42		85x85x42		85x85x42	
Recommended operation temperature	0 to 40 degC	0 to 40 degC		0 to 40 degC		0 to 40 degC	

Specifications - Loads

	CG111S1	CG111S2		CG111DM		CG111S2-CCP	
Description	One Gang Switch	Two Gang Switch		One Gang Dimmer (Leading Edge Dimming)		One Gang Curtain Control Switch	
Resistive load 1. Incandescent 2. Halogen 3. Electronic low voltage – ELV transformer	500W	500W / gang		200W			
Inductive load 1. Magnetic low voltage – MLV transformer. 2. Iron core / Inductive transformer	500VA	500VA/ gang		200VA			
Fluorescent	350W	350W / gang					
Compact fluorescent - CFL	200W Max. 12 pcs CFL**	200W / gang Max. 12 pcs CFL/Gang**		200W Dimmable CFL Max. 10 pcs CFL**			
LED – GU10	100W	100W / gang		80W			
LED – MR16, MR11 With electronic low voltage LED driver	200W Max. 12 pcs ELV LED driver**	200W / gang Max. 12 pcs ELV LED driver /Gang **		80W Max. 10 pcs ELV LED driver**			
LED strip With electronic low voltage driver	200W Max. 5 pcs ELV LED driver**	200W / gang Max. 5 pcs ELV LED driver /Gang **					
Exhaust fan	200VA	200VA / gang					
3 wire type AC curtain motor						200VA	
Minimum load				5W			

How to Build a Model Number



FRAME SELECTION:

WHITE:CG111-PF-WHITE

SILVER GREY:CG111-PF-SILVER GREY

GOLD: CG111-PF-GOLD