

Description

- ZigBee wireless remote control.
- Based on IEEE 802.15.4.
- 2.4GHz radio frequency.
- CG130S1, S2, DM is for lighting control
- CG130S2-CCP is for control of electronic curtain or motorized window blind.
- CG130S1H2 is scene control panel with 4 scene settings.
- CG130HB is door bell switch.
- Load/ loads are directly driven by the built-in driver.
- Control button can be configured to become two way function.
- Support iPhone, iPad and Android mobile control if CG102BS Base Station is purchased.
- Control button graphics can be tailor-made per customer requirement.
- No EIB / Bus required
- Easy to install.



CG130S1
One Gang Switch



CG130DM
One Gang Dimmer



CG130S2-CCP
1 Gang Curtain Control Switch



CG130S1H2
Scene Control Panel



CG130S2
Two Gang Switch



CG130DM2
Two Gang Dimmer



CG130S4-CCP
2 Gang Curtain Control Switch,

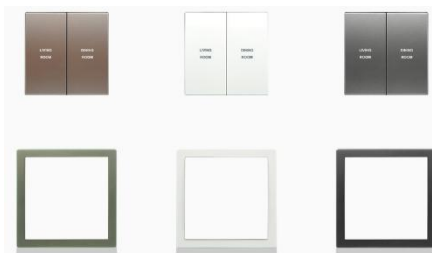


CG130S4
4 Gang Switch



CG130HB
Door Bell Switch

Standard color of button and frame available for purchase



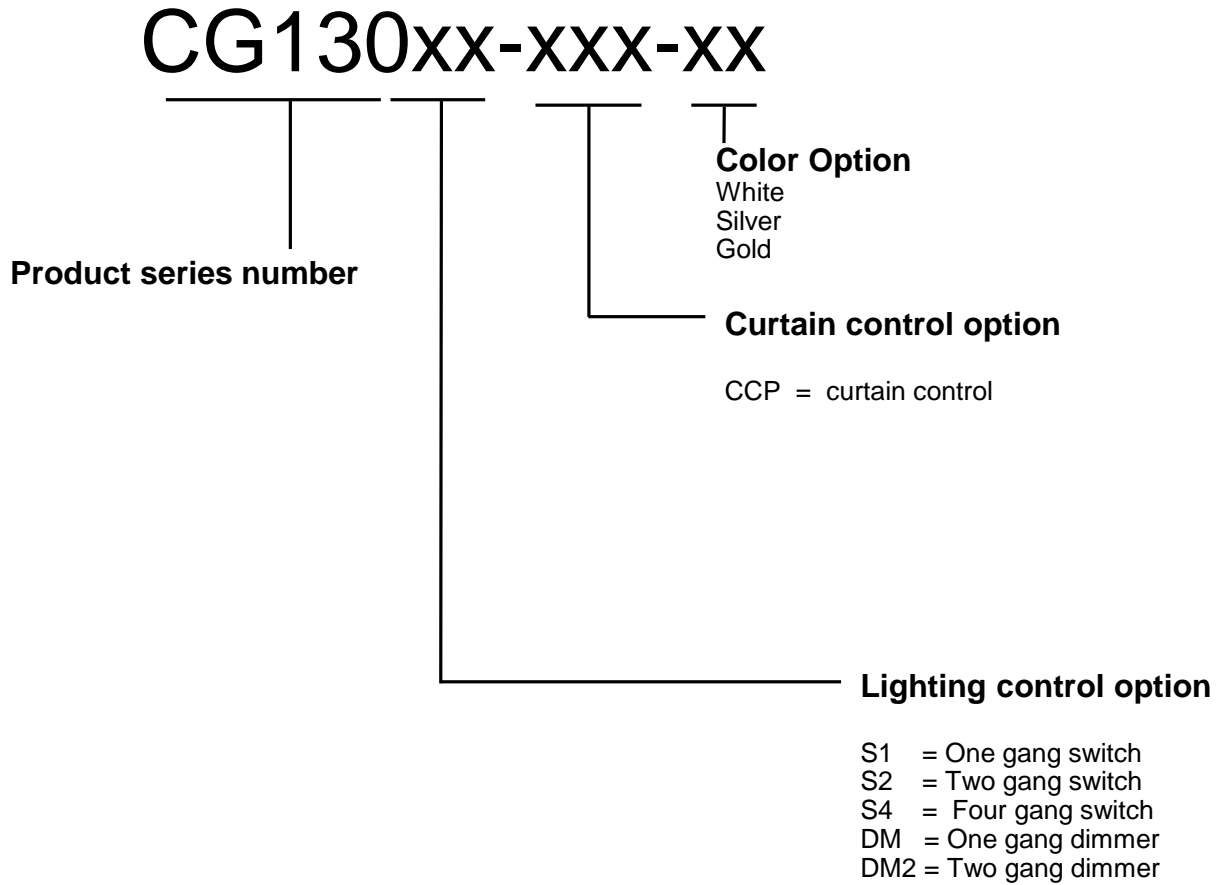
Specifications

	CG130S1	CG130S2	CG130S4	CG130DM	CG130DM2	CG130S2-CCP	CG130S4-CCP
Description	One Gang Switch	Two Gang Switch	Four Gang Switch	One Gang Dimmer (Leading Edge Dimming)	Two Gang Dimmer (Leading Edge Dimming)	One Gang Curtain Control Switch	Two Gang Curtain Control Switch
Operating voltage	AC220-240V, 50Hz						
Maximum number of devices included in scene setting** (Remarks 1, 2)	50	50	50	50	50	NO	NO
**Remarks: <ol style="list-style-type: none"> When up button is used for dimming up function, the down button cannot be programmed as scene function Maximum number of devices programmed into the whole product is limited to 50 devices The maximum load requirements for fluorescent, CFL and LED loads can vary greatly depending upon the specific fixture and /or bulb being used. When dimming transformer is connected to CG130, make sure "dimmable" and "leading edge" type is used. Furthermore, the dimming performance varies greatly from manufacturer to manufacturer of the bulb and the dimming transformer. It is recommended to test the matching performance before mass deployment. 							
Minimum dimming level setting	NO	NO	NO	YES	YES	NO	NO
Memory dim function	NO	NO	NO	YES	YES	NO	NO
Two way control function	YES	YES	YES	YES	YES	YES	YES
RF frequency	2.4GHZ	2.4GHZ	2.4GHZ	2.4GHZ	2.4GHZ	2.4GHZ	2.4GHZ
Remote control distance (M, line of sight)	100M	100M	100M	100M	100M	100M	100M
Dimensions mm (Length x Width x Depth)	87x87x39	87x87x39	87x87x39	87x87x39	87x87x39	87x87x39	87x87x39
Recommended operation temperature	0 to 40 degC	0 to 40 degC	0 to 40 degC	0 to 40 degC	0 to 40 degC	0 to 40 degC	0 to 40 degC

Specifications - Loads

	CG130S1	CG130S2	CG130S4	CG130DM	CG130DM2	CG130S2-CCP	CG130S4-CCP
Description	One Gang Switch	Two Gang Switch	Four Gang Switch	One Gang Dimmer (Leading Edge Dimming)	Two Gang Dimmer (Leading Edge Dimming)	One Gang Curtain Control Switch	Two Gang Curtain Control Switch
Resistive load 1. Incandescent 2. Halogen 3. Electronic low voltage – ELV transformer	2000W	1000W / gang	500W / gang	600W	300W/ gang		
Inductive load 1. Magnetic low voltage – MLV transformer. 2. Iron core / Inductive transformer	2000VA	1000VA/ gang	500VA/ gang	600VA	300VA/ gang		
Fluorescent	1400W	700W / gang	350W / gang				
Compact fluorescent - CFL	400W Max. 24 pcs CFL**	400W / gang Max. 24 pcs CFL/Gang**	200W / gang Max. 12 pcs CFL/Gang* *	400W Dimmable CFL Max. 20 pcs CFL**	200W/ gang Dimmable CFL Max. 20 pcs CFL/Gang**		
LED – GU10	200W	200W / gang	100W / gang	60W	30W / gang		
LED – MR16, MR11 With electronic low voltage LED driver	400W Max. 24 pcs ELV LED driver**	400W / gang Max. 24 pcs ELV LED driver /Gang **	200W / gang Max 12 pcs ELV LED driver / Gang**	120W Max. 15 pcs ELV LED driver**	60W / gang Max. 15 pcs ELV LED driver/Gang**		
LED strip With electronic low voltage driver	400W Max. 10 pcs ELV LED driver**	400W / gang Max. 10 pcs ELV LED driver /Gang **	200W / gang Max 5 pcs ELV LED driver / Gang**				
Exhaust fan	300VA	300VA / gang	200VA / gang				
3 wire type AC curtain motor						300VA	300VA / gang
Minimum load				5W	5W / gang		

How to Build a Model Number



FRAME SELECTION:
WHITE:CG130-PF-WHITE
SILVER GREY:CG130-PF-SILVER GREY
GOLD: CG130-PF-GOLD