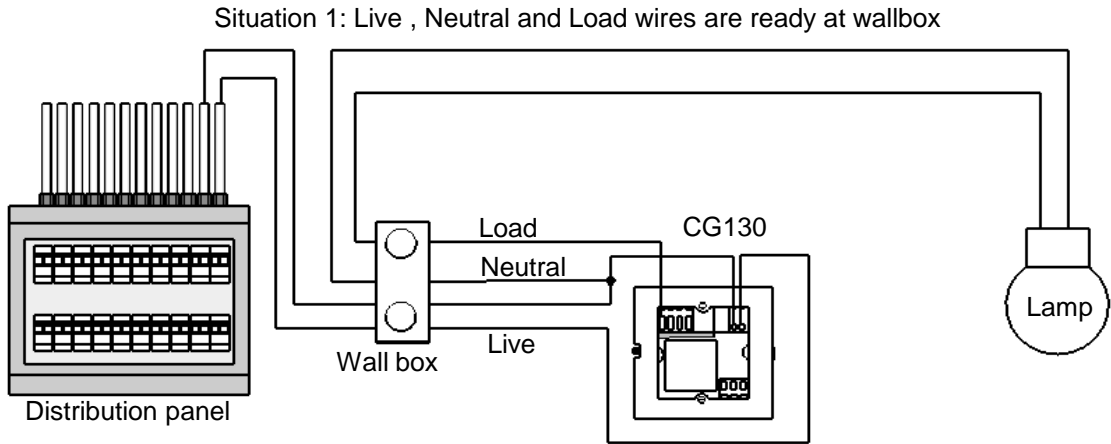


1. CG130S1xx, One Gang Switch
2. CG130S2xx, Two Gang Switch
3. CG130S4xx, Four Gang Switch
4. CG130DMxx, One Gang Dimmer
5. CG130DM2xx, Two Gang Dimmer

Wiring Diagram

Notes: The Neutral wire of load is closely connected to the Neutral point of CG130.



Situation 2: Live and Load wires are ready at wallbox, Neutral wire is only ready at ceiling

