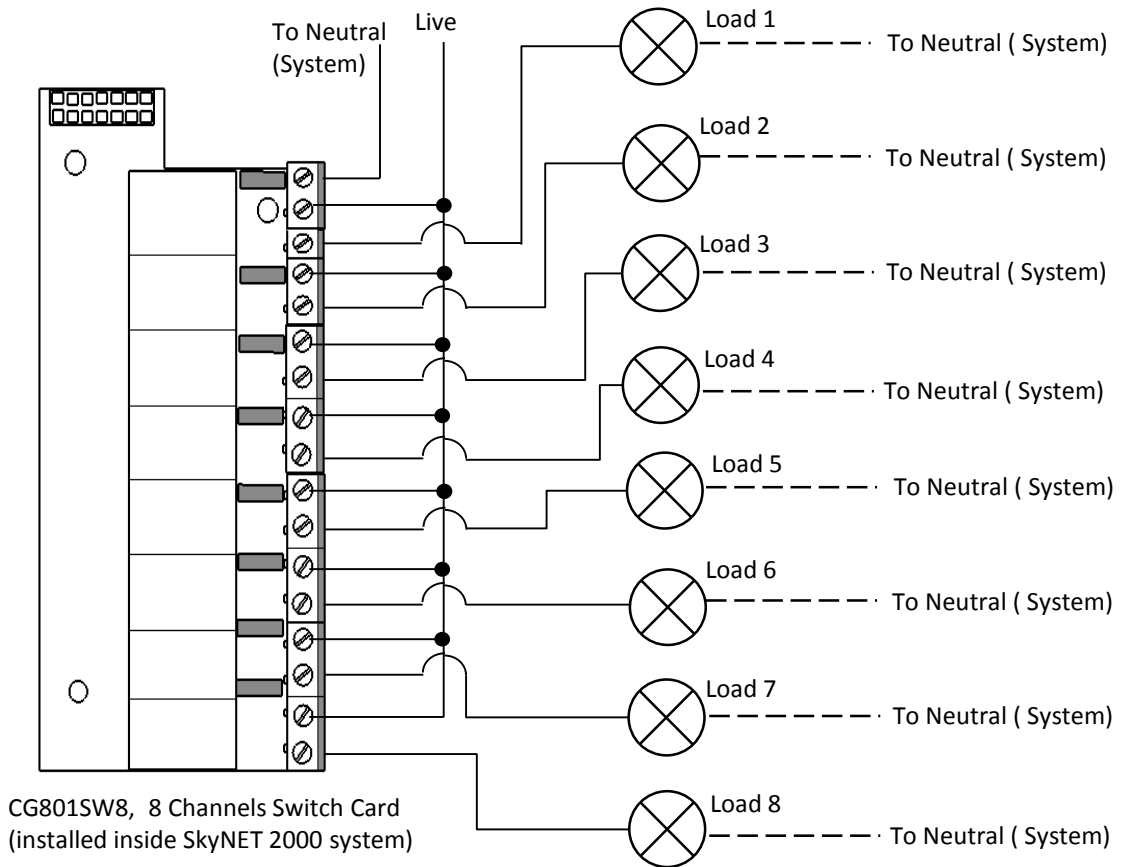
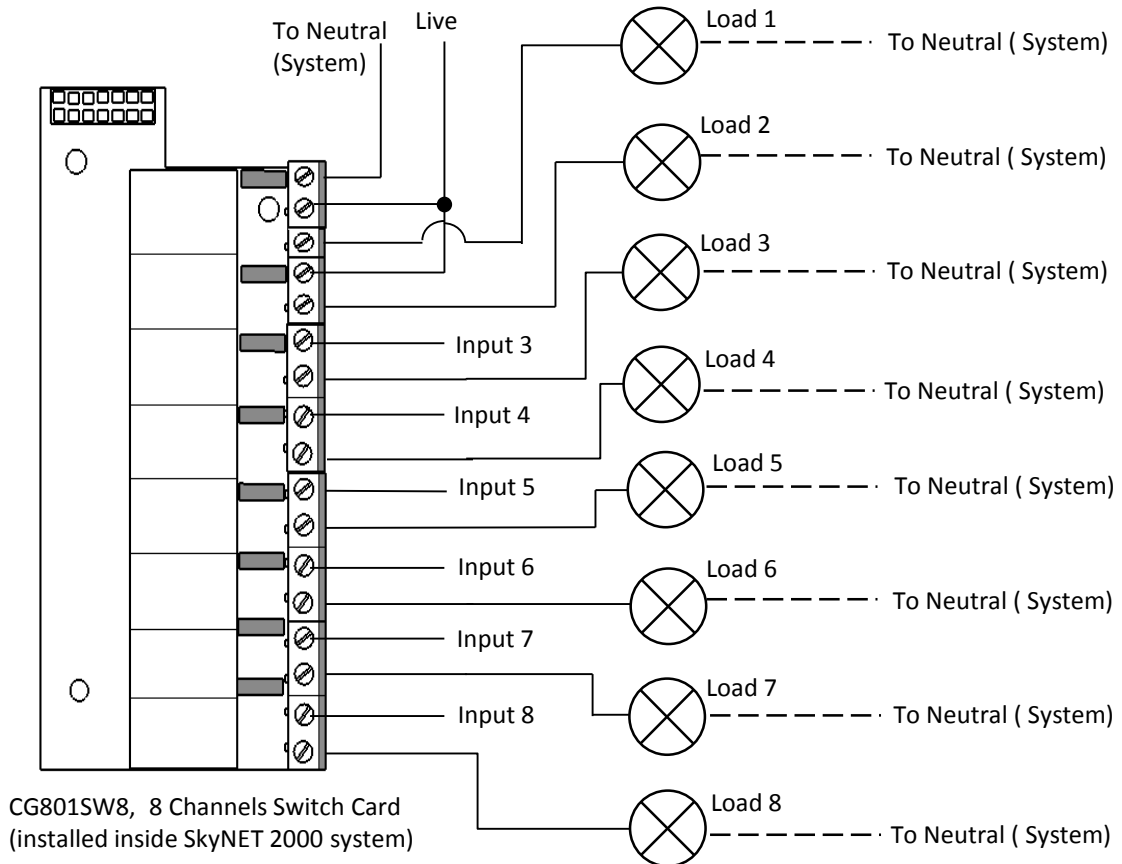


Wiring – General wiring, all loads are driven by AC line voltage



Wiring — NOT all loads are driven by AC line voltage



** Remarks: In this case, Channel 1 and Channel 2 are driven by AC line voltage and is Zero Crossing protected. Channel 3 to Channel 8 are independent input channel.

Wiring – Fan coil connected

