

# **CG102BS-R**

***ZIGBEE BASE STATION***

# **USER MANUAL**



CG102BS-R  
ZigBee Base Station

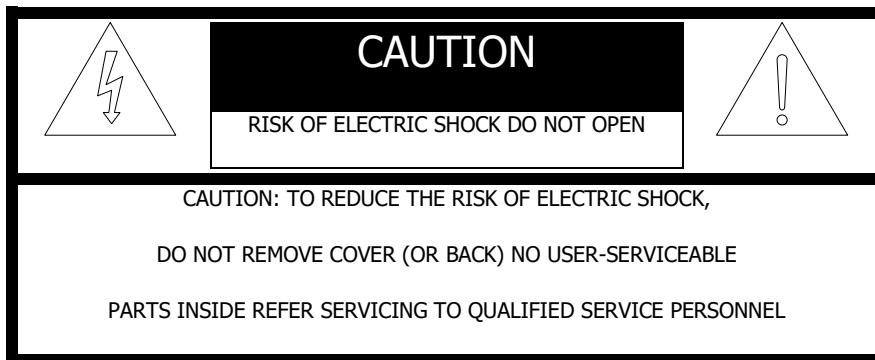
VERSION 1.1

12 FEBRUARY, 2020

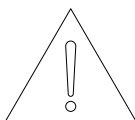
## **Disclaimers and Copyright**

Nothing contained in this publication is to be construed as granting any right, by implication or otherwise, for the manufacture, sale, or use in connection with any method, apparatus, or product covered by letters patent, or as insuring anyone against liability for infringement of letters patent.

Efforts have been made to ensure the accuracy and reliability of the data contained in this publication; however, CityGrow Energy Systems Limited makes no representation, warranty, or guarantee in connection with this publication and hereby expressly disclaims any liability or responsibility for loss or damage resulting from its use or from the use of any product or methodology described herein; for any violation of any federal, state, or municipal regulation with which this publication may conflict; or for the infringement of any patent from the use of this publication. Nothing contained in this publication should be viewed as an endorsement by CityGrow Energy Systems Limited of any particular manufacturer's products.



The lightning flash with arrowhead symbol within an equilateral triangle is intended to alert the user to the presence of uninsulated "dangerous voltage" within the product's enclosure that may be of sufficient magnitude to constitute a risk of electric shock to persons.



The exclamation point within an equilateral triangle is intended to alert the user to the presence of important operating and maintenance (servicing) instructions in the literature accompanying the product.

## **IMPORTANT SAFETY INSTRUCTIONS**

### **READ BEFORE OPERATING EQUIPMENT**

*This product was designed and manufactured to meet strict quality and safety standards.*

There are, however, some installation and operation precautions which you should be particularly aware of.

1. Read these instructions.
2. Keep these instructions.
3. Heed all warnings.
4. Follow all instructions.
5. Do not use this apparatus near water.
6. Clean only with dry cloth.
7. Do not block any ventilation openings. Install in accordance with the manufacturer's instructions.
8. Do not install near any heat sources such as radiators, heat registers, stoves, or other apparatus that produce heat.
9. Do not defeat the safety purpose of the polarized or grounding-type plug. If the provided plug does not fit into your outlet, consult an electrician for replacement of the outlet.
10. Protect the power cord from being walked on or pinched particularly at plugs, convenience receptacles, and the point where they exit from the apparatus.
11. Only use attachments/accessories specified by the manufacturer.
12. Use only with the cart, stand, tripod, bracket, or table specified by the manufacturer, or sold with the apparatus. When a cart is used, use caution when moving the cart/apparatus combination to avoid injury from tip-over.
13. Unplug this apparatus during lightning storms.
14. Refer all servicing to qualified service personnel. Servicing is required when the apparatus has been damaged in any way, such as power-supply cord or plug is damaged, liquid has been spilled or objects have fallen into the apparatus, the apparatus has been exposed to rain or moisture, does not operate normally, or has been dropped.

## Table of content

1.	Introduction .....	1
2.	Understanding the product .....	2
3.	Dimension.....	3
4.	Power-up the CG102BS-R.....	4
5.	Device List Upload .....	5
6.	Device Control.....	5
7.	Specification.....	6

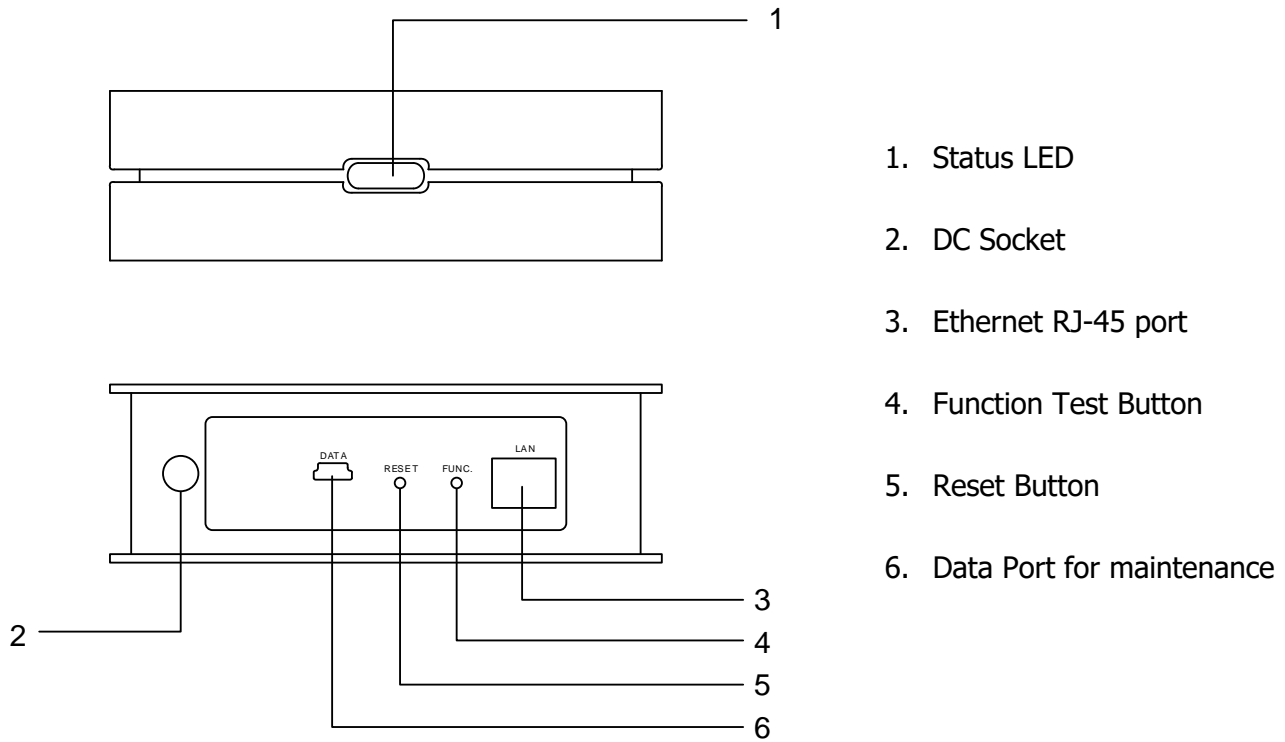
## **1. Introduction**

Thank you for choosing CityGrow's product. CG102BS-R ZigBee Base Station is highly-functional, user-friendly and installation-friendly. The CG102BS-R is a ZigBee network gateway specially designed for CityGrow home automation system.

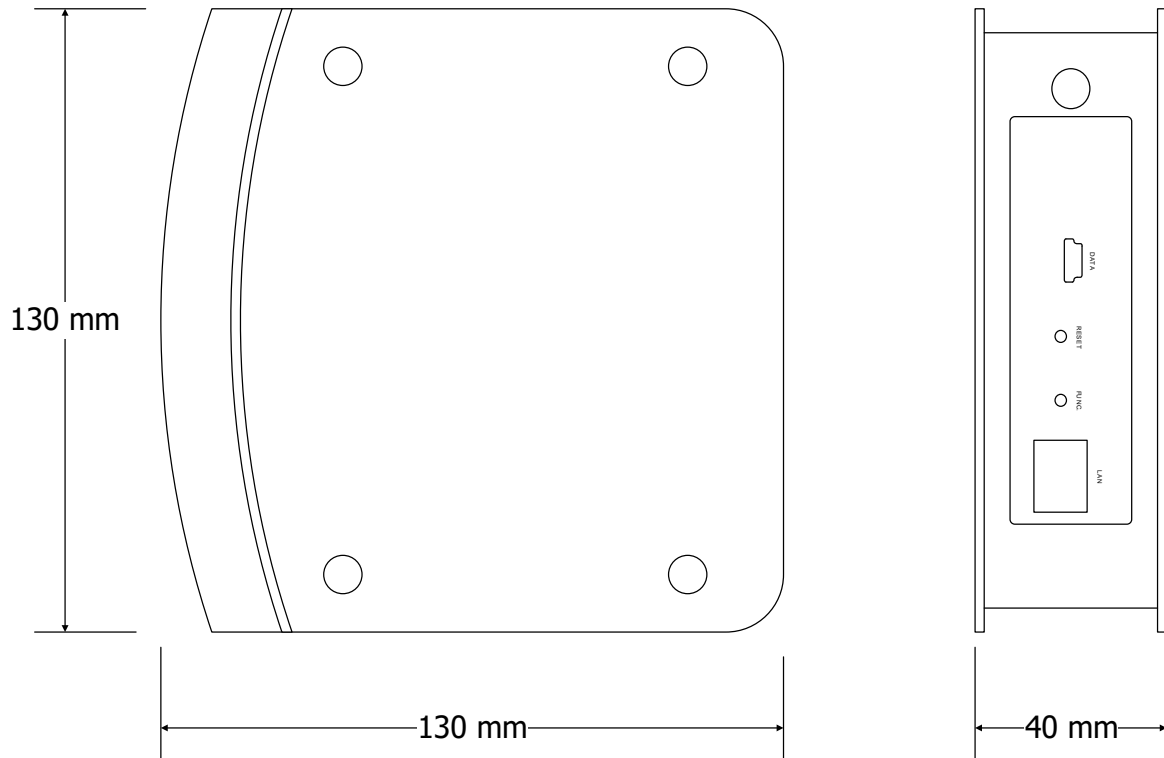
### **Description**

1. ZigBee wireless remote control.
2. Based on IEEE 802.15.4.
3. 2.4GHz radio frequency.
4. Support mobile devices using iOS and Android platforms.
5. Fully compatible with CityGrow HomeNet2 mobile App.
6. Support remote access / control / monitoring through the Internet.
7. Support scheduling function.
8. Support group control
9. TCP communication via LAN port to Wi-Fi router.
10. High speed and 2-way communications.
11. With CG102BS-R Base Station, all devices support iOS/Android App control.
12. Preset control for different zones.
13. Preset control for various scenes.
14. LED indicator for power and status indication.
15. Powered by external power adaptor. (Included)
16. Easy to install.

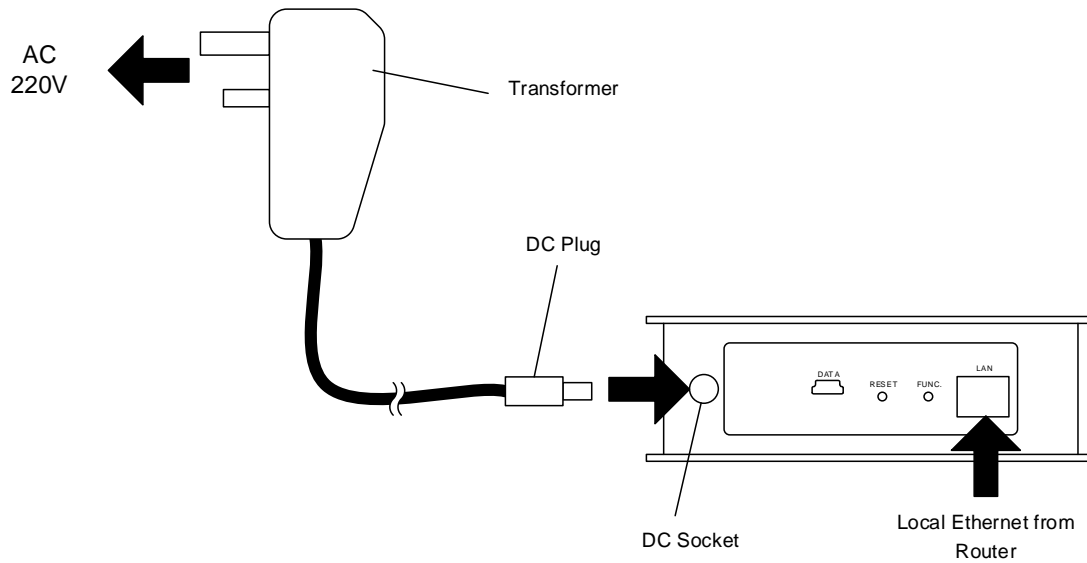
## 2. Understanding the product



### 3. Dimension



## 4. Power-up the CG102BS-R



- Connect the CG102BS-R to the local Ethernet via the Wi-Fi router.
- Insert the DC Plug into the DC socket of the CG102BS-R.
- Plug the transformer to the AC220V socket.

### IMPORTANT NOTE:

1. Please ensure the network connection is normal and stable at the installation location. Installation of the CG102BS-R requires stable network connection.
2. If the status LED is not blinking or is lightened up in red color, please check the connection between the CG102BS-R and your network.

## 5. Device List Upload

A list of the CityGrow Home Automation devices should be uploaded to the CG102BS-R ZigBee Base Station before the CG102BS-R can operate with your home automation system. For the details on how to upload the device list to the CG102BS-R, please refer to the user manual of the HomeNET Planner 2 Software.

You can download HomeNET Planner 2 Software from

<https://citygrowsys.com/en/download/#software-download>

## 6. Device Control

1. Please download the HomeNET2 App onto your mobile device:

- iOS Version

<https://apps.apple.com/us/app/homenet2/id1465848556>



- Android

<https://play.google.com/store/apps/details?id=com.homenet2>



2. Install the HomeNET2 App.

3. Now you can setup and control the smart devices in your home automation system via the HomeNET2 App.



## 7. Specification

Item	Description
Power supply	Powered by external AC adaptor DC6V 1A
ZigBee wireless communication	ZigBee wireless remote control Based on IEEE 802.15.4
Ethernet port	Fast Ethernet: UTP Cat5, EIA/TIA-568 100-ohm screened twisted-pair (STP)
Supported configuration	Maximum number of devices: 120 ZigBee devices ZigBee device type: Dimmer, Switch, Socket, Curtain, IR, Fan Coil control, Thermostat Remote access Mobile device: Android mobile, iPhone, iPod Touch, iPad and iPad mini
Best IR learning distance	15 to 80mm from the IR learning LED
RF frequency	2.4GHZ
Operating temperature	0°C to 40°C
Operating humidity	5% to 95% non-condensing
Unit Dimension L x W x D (mm)	130 x 130 x 402mm
Storage	-20°C to 70°C