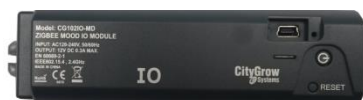


# **CG102IO-MD**

***WIRELESS I/O MODULE***

# **USER MANUAL**



CG101IO-MD

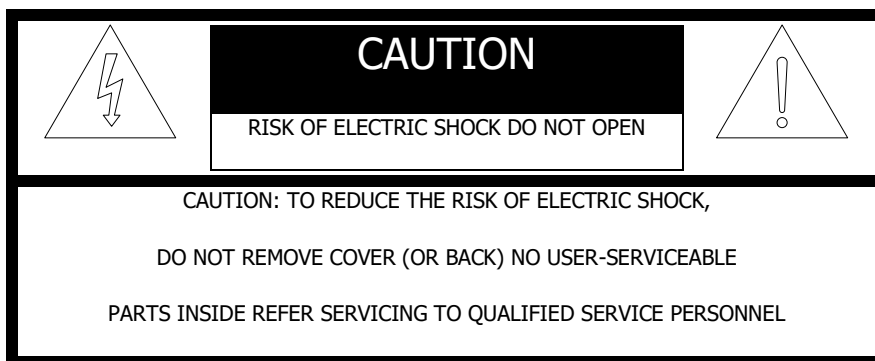
VERSION 1.0

13 FEBRUARY, 2020

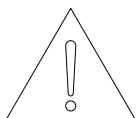
## **Disclaimers and Copyright**

Nothing contained in this publication is to be construed as granting any right, by implication or otherwise, for the manufacture, sale, or use in connection with any method, apparatus, or product covered by letters patent, or as insuring anyone against liability for infringement of letters patent.

Efforts have been made to ensure the accuracy and reliability of the data contained in this publication; however, CityGrow Energy Systems Limited makes no representation, warranty, or guarantee in connection with this publication and hereby expressly disclaims any liability or responsibility for loss or damage resulting from its use or from the use of any product or methodology described herein; for any violation of any federal, state, or municipal regulation with which this publication may conflict; or for the infringement of any patent from the use of this publication. Nothing contained in this publication should be viewed as an endorsement by CityGrow Energy Systems Limited of any particular manufacturer's products.



The lightning flash with arrowhead symbol within an equilateral triangle is intended to alert the user to the presence of uninsulated "dangerous voltage" within the product's enclosure that may be of sufficient magnitude to constitute a risk of electric shock to persons.



The exclamation point within an equilateral triangle is intended to alert the user to the presence of important operating and maintenance (servicing) instructions in the literature accompanying the product.

## **IMPORTANT SAFETY INSTRUCTIONS**

### **READ BEFORE OPERATING EQUIPMENT**

*This product was designed and manufactured to meet strict quality and safety standards.*

There are, however, some installation and operation precautions which you should be particularly aware of.

1. Read these instructions.
2. Keep these instructions.
3. Heed all warnings.
4. Follow all instructions.
5. Do not use this apparatus near water.
6. Clean only with dry cloth.
7. Do not block any ventilation openings. Install in accordance with the manufacturer's instructions.
8. Do not install near any heat sources such as radiators, heat registers, stoves, or other apparatus that produce heat.
9. Do not defeat the safety purpose of the polarized or grounding-type plug. If the provided plug does not fit into your outlet, consult an electrician for replacement of the outlet.
10. Protect the power cord from being walked on or pinched particularly at plugs, convenience receptacles, and the point where they exit from the apparatus.
11. Only use attachments/accessories specified by the manufacturer.
12. Use only with the cart, stand, tripod, bracket, or table specified by the manufacturer, or sold with the apparatus. When a cart is used, use caution when moving the cart/apparatus combination to avoid injury from tip-over.
13. Unplug this apparatus during lightning storms.
14. Refer all servicing to qualified service personnel. Servicing is required when the apparatus has been damaged in any way, such as power-supply cord or plug is damaged, liquid has been spilled or objects have fallen into the apparatus, the apparatus has been exposed to rain or moisture, does not operate normally, or has been dropped.

## Table of content

1. Introduction .....	1
2. Understanding the product .....	2
3. Dimension.....	3
4. Wiring.....	4
5. Installation.....	5
6. Adding the product to your Home Wireless ZigBee Network .....	7
7. Specification.....	8

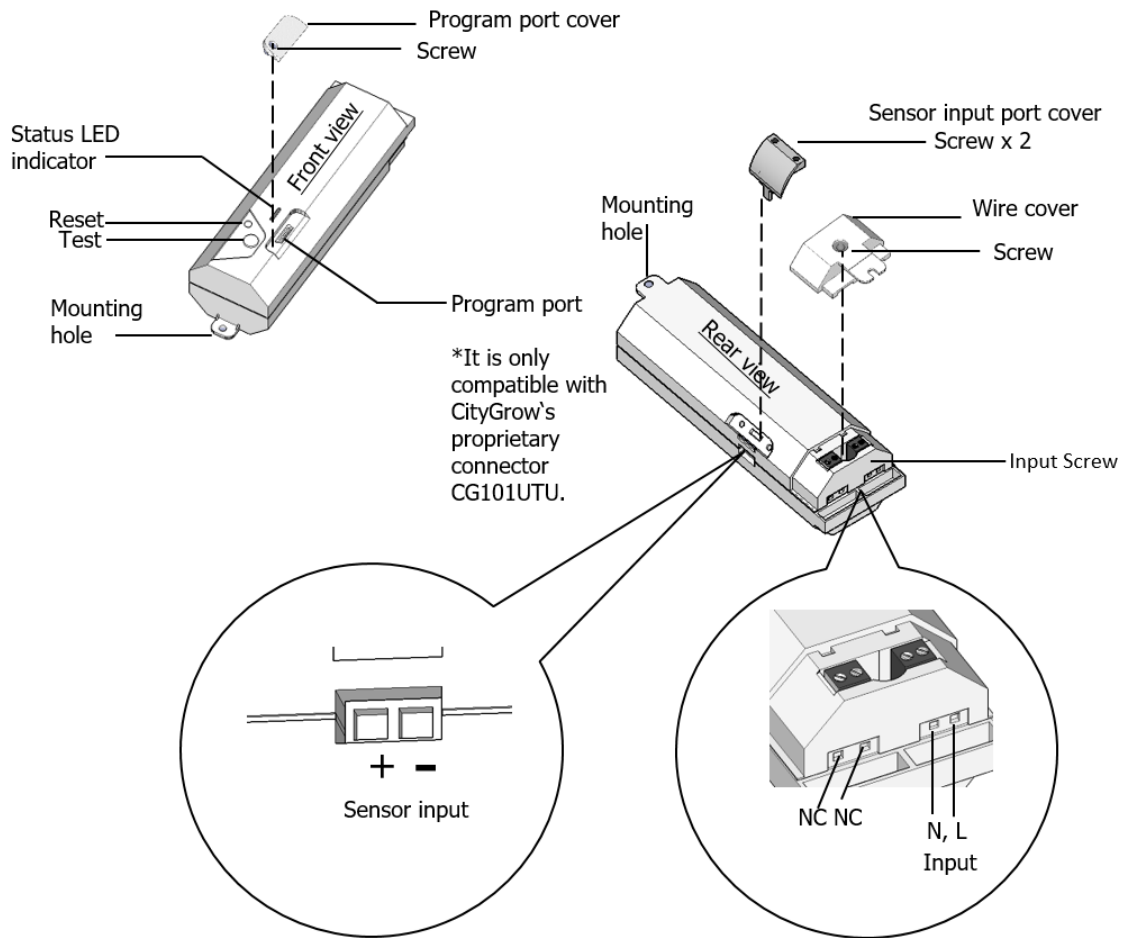
# 1. Introduction

Thank you for choosing CityGrow's product. The CG102IO-MD Wireless I/O Module is a third-party sensor input interface specially designed for CityGrow automation control system.

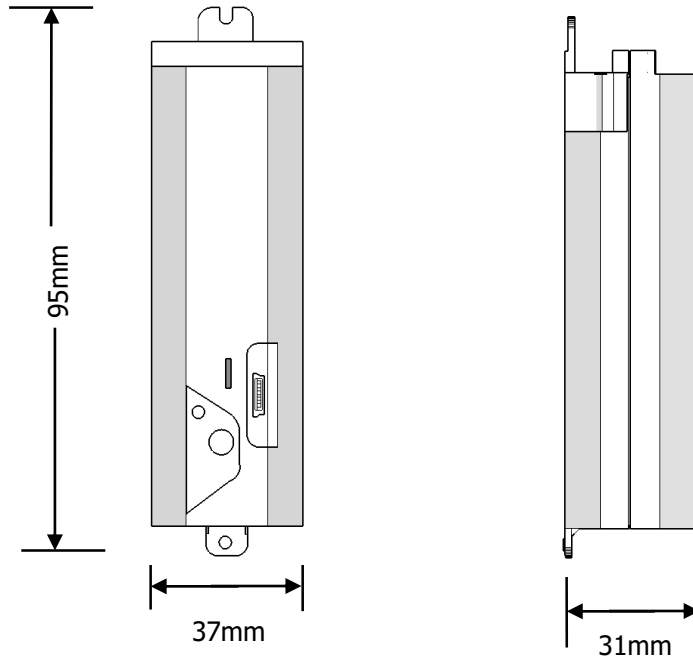
## Description

1. ZigBee wireless remote control.
2. Based on IEEE 802.15.4.
3. 2.4GHz radio frequency.
4. Support various types of sensor to trigger scene control.
5. Support scene control on different smart devices such as air-conditioners, lighting, curtain and IR audiovisual devices.
6. Support timer delay.
7. Support NC / NO sensor input.
8. Scene setting by using HomeNET planner 2 software.
9. LED indicator for status indication.
10. Local Test button.
11. Local Reset button.
12. Compact size and easy to be located into false ceiling
13. Direct AC 220V input.
14. Sensor input protected by opto-coupler.

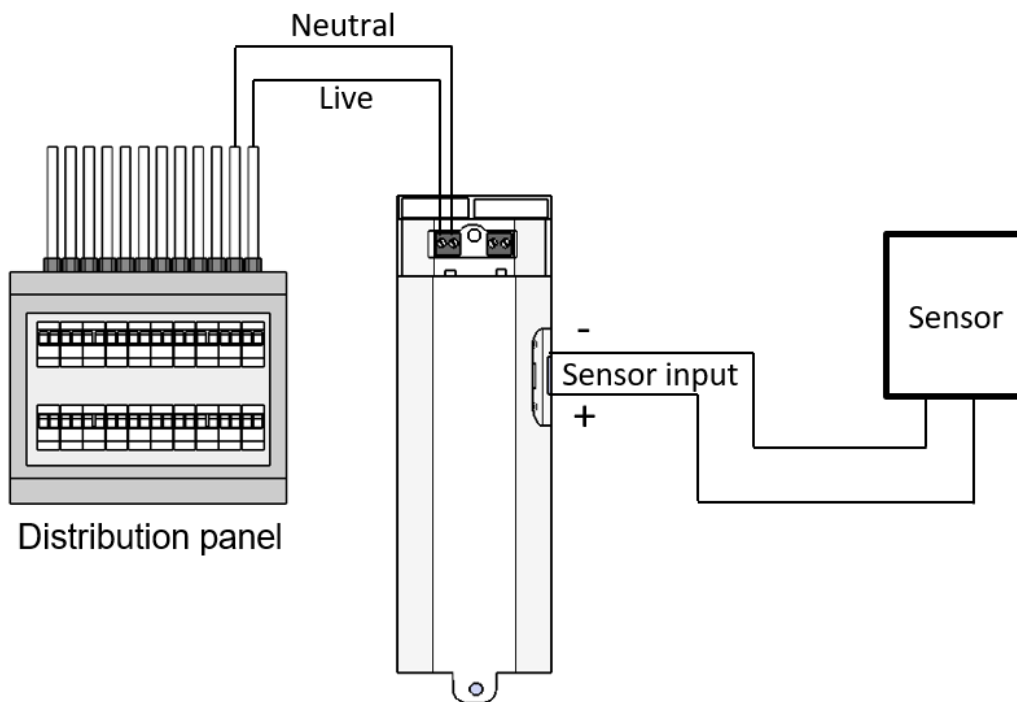
## 2. Understanding the product



### 3. Dimension



## 4. Wiring



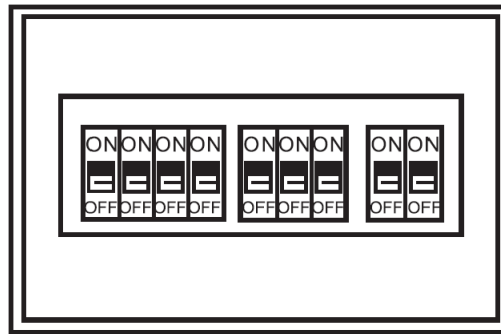
### Before getting started

- ⚠️ **WARNING!** It must be installed by a qualified electrician in accordance to all applicable regulations and building codes. Improper wiring can result in personal injury or damage to control units or other equipment. Always turn off circuit breaker or remove main fuse from power line before doing any work. To avoid overheating and possible damage to equipment.
- ⚠️ **WARNING!** Do not operate when any lamps removed or burned out; replace any burned out lamps immediately; use only transformers that incorporate thermal protection or fused primary windings. This product is designed for residential and commercial use, for indoor use only.
- ⚠️ **WARNING!** Install in accordance to all national and local electrical codes.
- ⚠️ **IMPORTANT!** CityGrow® is not liable for any damage incurred with the misuse of the product.
- ⚠️ **IMPORTANT!** Pre-setup can only be done by a professional technician or manufacturer agent.

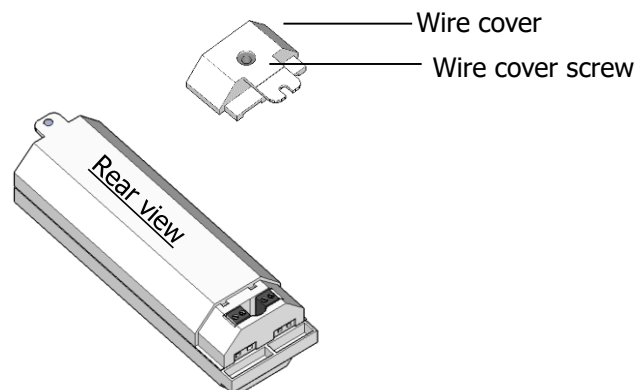
## 5. Installation

Please follow the instructions to install the product.

**STEP 1: IMPORTANT!** Turn off main power at the main switch board.

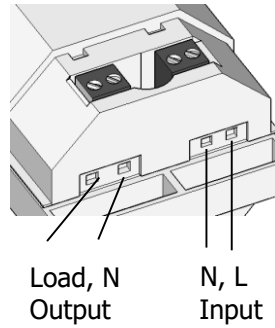


**STEP 2:** Loosen the wire cover screw and remove the wire cover.

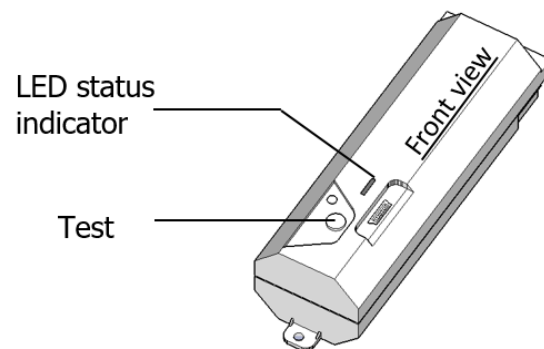




**STEP 3:** Connect the main power cable to the Live and Neutral terminals. Connect the load cable to the Load terminals at the back cabinet of the product.



**STEP 4:** The CG102IO-MD module is now powered up and the orange LED will be blinking. Press the Test Button to test the module.



## 6. Adding the product to your Home Wireless ZigBee Network

	<p><b>STEP 1</b></p> <p>Open the front cover, you will see an USB socket.</p> <p><b>STEP 2</b></p> <p>Plug the CG101UTU cable into the USB port of the device, and connect the other end of the CG101UTU cable into the mini USB port of the CG101UTC cable.</p> <p><b>STEP 3</b></p> <p>Plug the CG101UTC cable into the USB port of a PC which has installed with CityGrow’s HomeNET Planner 2 Software.</p> <p><b>STEP 4</b></p> <p>Refer to the user manual of “HomeNET Planner 2” Software to program and set the address of the product.</p>
--	--

## 7. Specification

<b>Item</b>	<b>CG102IO-MD Wireless I/O Module</b>
<b>Power supply</b>	AC 220V-240V, 50Hz
<b>Wireless communication</b>	ZigBee
<b>Sensor input</b>	1 input for sensor
<b>Scene setting</b>	Support
<b>Maximum number of devices in each scene</b>	150
<b>RF frequency</b>	2.4GHZ
<b>RF control distance (line of sight)</b>	100M
<b>Operational temperature</b>	0°C to 40°C
<b>Operational humidity</b>	5% to 95% non-condensing
<b>Dimensions mm (Length x Width x Depth )</b>	140 x 37 x 31
<b>Storage</b>	-20°C to 70°C