

CG102RS232

ZIGBEE RS232 INTERFACE

USER MANUAL



CG102RS232
ZigBee RS232 Interface

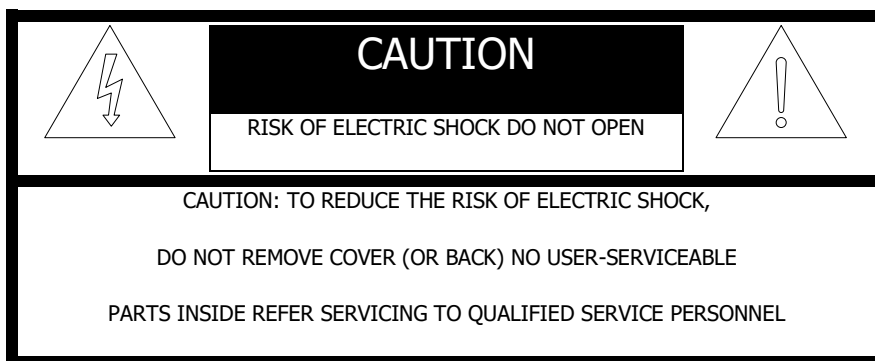
VERSION 1.7

14 FEBRUARY, 2020

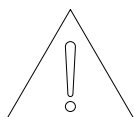
Disclaimers and Copyright

Nothing contained in this publication is to be construed as granting any right, by implication or otherwise, for the manufacture, sale, or use in connection with any method, apparatus, or product covered by letters patent, or as insuring anyone against liability for infringement of letters patent.

Efforts have been made to ensure the accuracy and reliability of the data contained in this publication; however, CityGrow Energy Systems Limited makes no representation, warranty, or guarantee in connection with this publication and hereby expressly disclaims any liability or responsibility for loss or damage resulting from its use or from the use of any product or methodology described herein; for any violation of any federal, state, or municipal regulation with which this publication may conflict; or for the infringement of any patent from the use of this publication. Nothing contained in this publication should be viewed as an endorsement by CityGrow Energy Systems Limited of any particular manufacturer's products.



The lightning flash with arrowhead symbol within an equilateral triangle is intended to alert the user to the presence of uninsulated “dangerous voltage” within the product’s enclosure that may be of sufficient magnitude to constitute a risk of electric shock to persons.



The exclamation point within an equilateral triangle is intended to alert the user to the presence of important operating and maintenance (servicing) instructions in the literature accompanying the product.

IMPORTANT SAFETY INSTRUCTIONS

READ BEFORE OPERATING EQUIPMENT

This product was designed and manufactured to meet strict quality and safety standards.

There are, however, some installation and operation precautions which you should be particularly aware of.

1. Read these instructions.
2. Keep these instructions.
3. Heed all warnings.
4. Follow all instructions.
5. Do not use this apparatus near water.
6. Clean only with dry cloth.
7. Do not block any ventilation openings. Install in accordance with the manufacturer’s instructions.
8. Do not install near any heat sources such as radiators, heat registers, stoves, or other apparatus that produce heat.
9. Do not defeat the safety purpose of the polarized or grounding-type plug. If the provided plug does not fit into your outlet, consult an electrician for replacement of the outlet.
10. Protect the power cord from being walked on or pinched particularly at plugs, convenience receptacles, and the point where they exit from the apparatus.
11. Only use attachments/accessories specified by the manufacturer.
12. Use only with the cart, stand, tripod, bracket, or table specified by the manufacturer, or sold with the apparatus. When a cart is used, use caution when moving the cart/apparatus combination to avoid injury from tip-over.
13. Unplug this apparatus during lightning storms.
14. Refer all servicing to qualified service personnel. Servicing is required when the apparatus has been damaged in any way, such as power-supply cord or plug is damaged, liquid has been spilled or objects have fallen into the apparatus, the apparatus has been exposed to rain or moisture, does not operate normally, or has been dropped.

Table of content

1.	Introduction.....	2
2.	Understanding of the product.....	3
3.	Dimension	4
4.	RS232 Serial Interface	5
5.	Serial Data Format	6
5.1.	Sync	6
5.2.	Length	6
5.3.	Frame Control	6
5.4.	Seq. No.....	7
5.5.	Padding	7
5.6.	Payload.....	7
5.7.	Check Sum.....	7
6.	ZigBee Device Control Protocol (ZDCP).....	9
6.1.	Format of Protocol Data Unit (PDU).....	9
6.1.1	Cmd.....	10
6.1.2	DeviceID	11
6.1.3	DeviceType	11
6.2	Device Control	12
6.2.1	Device ON/OFF Control.....	13
6.2.2	Device Dimming Level Control.....	14
6.2.3	CG102IR Infrared Signal Control.....	16
6.3	Device Status Request.....	17
6.4	Auto Update of Device Status	19
6.5	ZDCP Version Enquiry.....	20
6.6	Operation Policy.....	21
7.	Specification	22

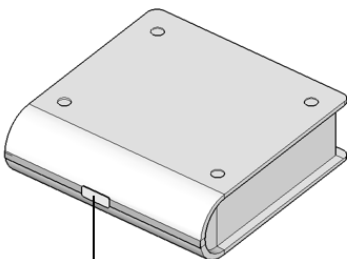
1. Introduction

Thank you for choosing CityGrow's product. CG102RS232 ZigBee RS232 Interface is specially designed for CityGrow home automation system. The CG102RS232 is a technical device providing interface for external system to control and acquire status of CityGrow ZigBee devices, such as ZigBee switch, ZigBee dimmer, ZigBee socket, ZigBee control curtain and IR transmitter.

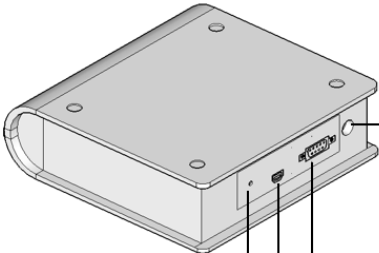
Description

1. ZigBee wireless remote control.
2. Based on IEEE 802.15.4.
3. 2.4GHz radio frequency.
4. External system interface with CityGrow ZigBee devices through RS232/ZigBee interface.
5. High speed and 2-way communications.
6. High secured transmission AES128 Bit encryption.
7. Through CG102RS232, you can centralize control and manage single ZigBee device, groups of ZigBee devices, such as lighting, A/C, curtain, AC outlet and IR AV control.
8. Compatible with CityGrow's HomeNET2 mobile App.
9. LED indicator for power and status indication.
10. Powered by external power adaptor. (Included)
11. Easy to install.

2. Understanding of the product



Status indicator



DC 6V 1A
External power
adaptor (included)

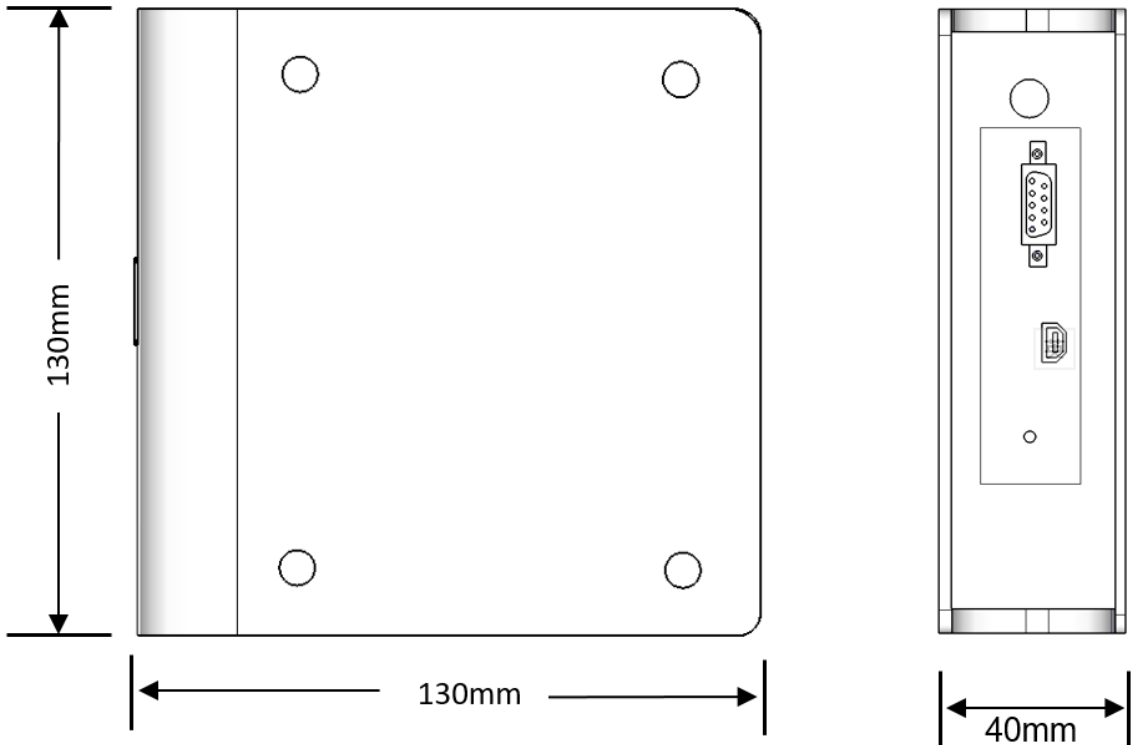
RS232 serial port

Program port

Reset

英

3. Dimension



4. RS232 Serial Interface

The CG102RS232 provides standard DB9 female connector for connection with external system. The pin assignment of the DB9 female connector is shown in Figure 2-1.

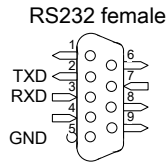


Figure 4-1 Pin assignment of the DB9 female connector

The connection between CG102RS232 and the external system with 3 pins of the RS232 interface, which are TXD, RXD and GND (Figure 2-2). The physical characteristics of the RS232 interface has been shown in Table 2-1.

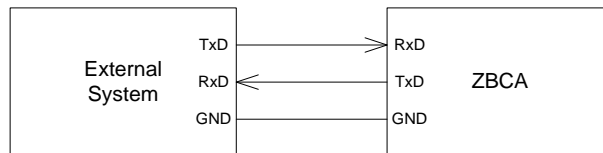


Figure 4-2 RS232 Interface connection between external system and CG102RS232

Table 4-1 Physical characteristics of the UART interface

PARAMETER	MIN	TYP	MAX	UNIT
Date Rate	-	57,600	-	bps
Framing	8N1			
Hardware flow control	Nil			
Voltage Level of bit '0'	+5	12	15	V
Voltage Level of bit '1'	-15	12	-5	V

In the RS232 serial communication protocol, the sender is able to request the receiver to acknowledge the sender. The timeout of the sender to received acknowledgment from receiver is 30ms. If the sender did not receive any acknowledgement from receiver within 30ms after transmission, sender will retransmit the data frame again.

5. Serial Data Format

The data format of serial interface is shown in Figure 3-1.



Figure 5-1 Data format of the serial interface

The data frame of the serial interface comprises of different fields, which are summarized in the following table (Table 3-1):

Table 5-1 Summary of fields in the data frame

Field	Description	Size
Sync	Sync-code	2 bytes
Length	Length of data frame	1 byte
Frame Control	Used for the frame acknowledgement	1 byte
Seq. No.	Sequence number of the data frame	1 byte
Padding	Padding field contain of '0'	1 byte
Payload	Payload reserved for Protocol Data Unit of ZDCP	1 – 20 bytes
Check Sum	Check sum code for error detection	2 bytes

5.1. Sync

The 2-byte sync-code is used to indicate the start of the data frame. The format of the sync-code is shown in Figure 3-2.

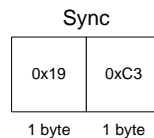


Figure 5-2 Format of the sync-code

5.2. Length

The 1-byte data frame length is used to indicate the total length of the data frame in term of number of byte. The length is counted start from the "Frame Control" to the end of the "Payload".

5.3. Frame Control

The 1-byte frame control is used to indicate whether the data frame is required to be acknowledged by the receiver after the receiver received the data frame correctly. The format of the frame control is shown in Figure 3-3.

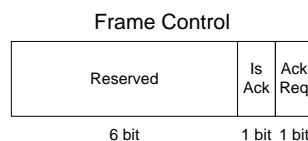


Figure 5-3 Data format of the frame control

When the sender is desired to receive an acknowledgment from the receiver to confirm the data is received correctly, the sender shall set the AckReq of the frame control field to '1'. Otherwise, the AckReq should be '0'.

When the receiver received a complete data frame correctly with AckReq is set to '1', the receiver shall reply the sender with an acknowledgment frame with the IsAck set to '1' immediately. The format of the acknowledgment frame is shown in Figure 3-4.

Sync		Length	Frame Control		Seq. No.	Padding	Check Sum
0x19	0xC3	0x03	0	1 0		0x00	
2 bytes		1 byte	1 byte		1 byte	1 byte	2 bytes

Figure 5-4 Frame format of the acknowledgment frame

Besides the acknowledgment frame, the IsAck shall always set to '0' in the "Frame Control" of any data frame.

5.4. Seq. No.

The 1-byte sequence number is used to identify different data frame during communication. The sequence number is generated by the sender and the value is started from 0. The value of the sequence number is increment by one for each new data frame and it should be reset to 0 after the value is larger than 255. When the data frame is required to be acknowledged, the receiver should fill the "Seq. No." of the acknowledgment frame with the received "Seq. No." from sender. The example shown in Figure 3-6 elaborates the general operation of the sequence number with the acknowledgement.

5.5. Padding

The 1-byte padding is reserved. In current version, the value of padding field should always be '0'.

5.6. Payload

The variable length payload is used to place the Protocol Data Unit of ZDCP.

5.7. Check Sum

The 2-byte check sum code is used to identify the correctness of the received data frame. The computation of the check sum is the summation of the entire byte which is counted from "Length" to the end of "Payload". The 2-byte summation result is placed into the field with Lower byte first and Upper byte end. For example, if the result is 0x1234, the check sum should be:

Check Sum	
0x34	0x12
1 byte	1 byte

Figure 5-5 The contain of check sum field if the summation result is 0x1234

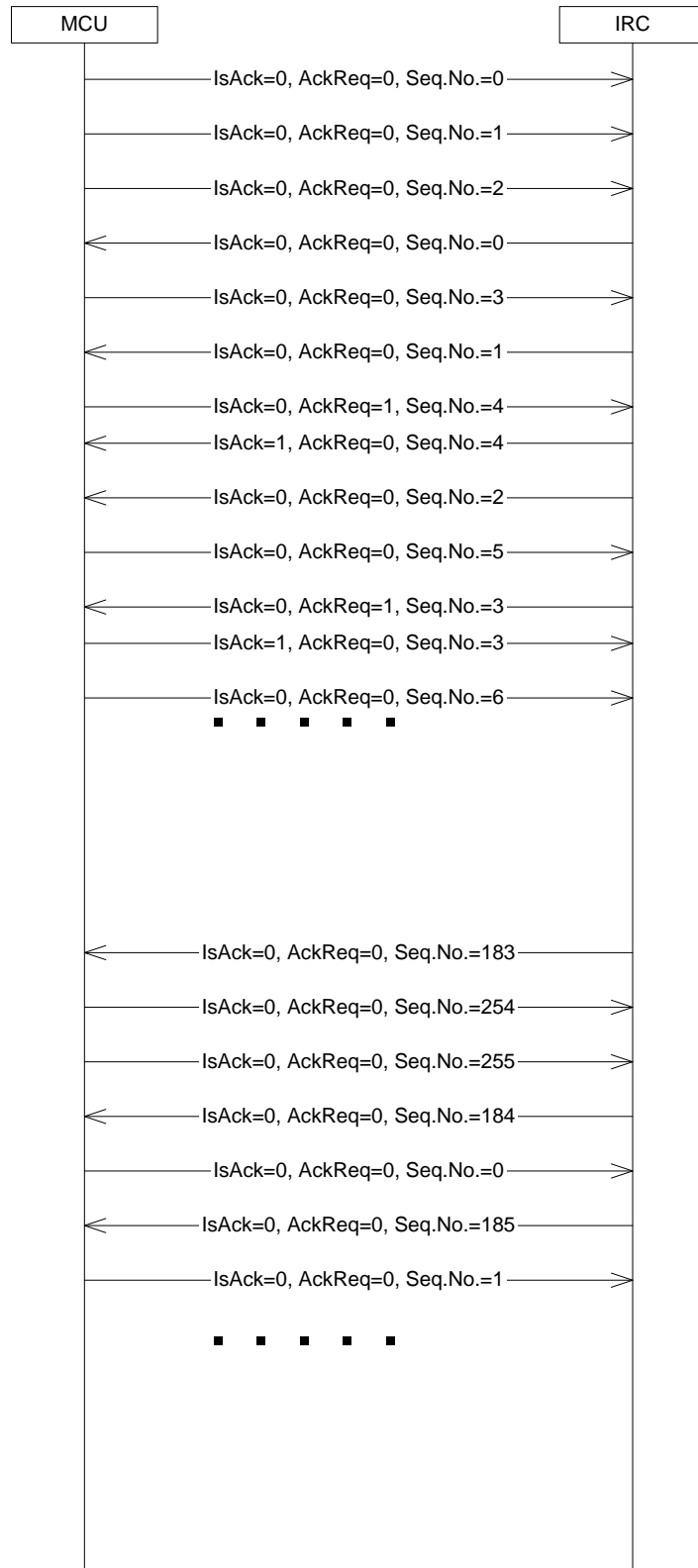


Figure 5-6 Operation example of the sequence number and acknowledgment.

6. ZigBee Device Control Protocol (ZDCP)

Current section provides details description on the communication protocol for external system to send and receive control and status from the CG ZigBee devices.

The CG102RS232 provide request-response communication approach for external system to control the CG ZigBee devices directly. The general concept is shown in Figure 4-1.

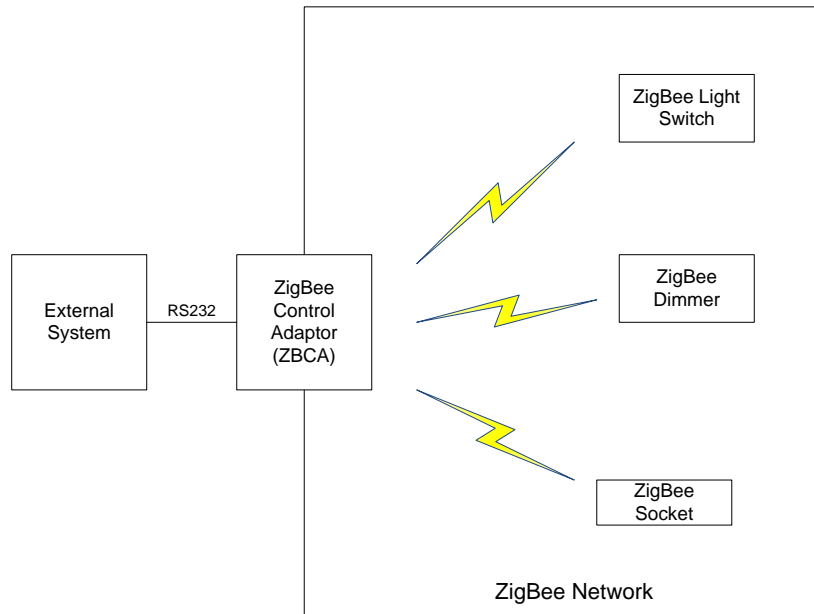


Figure 6-1 Request-response communication approach for ZigBee device control

According to Figure 4-1, when external system is desired to control a device within the ZigBee network, the external system may send a request command to the CG102RS232 with specified device ID, control command and control status through the RS232 interface. The CG102RS232 will send the control command to the target ZigBee device through the ZigBee network. If the control is accomplished, the target ZigBee device will send back a response to the CG102RS232. After the CG102RS232 received the response from ZigBee device, the CG102RS232 will send the response to the external system to inform the request is accomplished. If the target device is unreachable in the ZigBee network, the CG102RS232 will also send the response to the external system to inform the request is fail to accomplish. Details of the format of request-response commands and operation policy are described in current section.

6.1. Format of Protocol Data Unit (PDU)

The general protocol data unit (PDU) format of ZDCPI is shown in Figure 3-1.

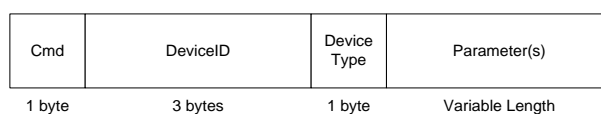


Figure 6-2 General PDU format of ZDCP

The PDU of the ZDCP comprises of different fields, which are summarized in the following table (Table 4-1):

Table 6-1 Summary of fields in the PDU of ZDCP

Field	Description	Size
Cmd	Command	1 byte
DeviceID	The device ID of target device	3 byte
DeviceType	The device type of the target device	1 byte
Parameter(s)	Parameter(s) for device control	Variable Length

6.1.1 Cmd

The command is used to specify the function of the PDU. The command also determines different parameters enclosed in the PDU. The summary of the command type and relative parameters is shown in the Table 4-2.

Table 6-2 Summary of the command type

Cmd		Description	Parameters
Name	Code		
CONTROL_REQ	0x01	Device Control Request	ControlCmd, ControlStatus (Set Dimmer Level Only)
CONTROL_RESP	0x02	Device Control Response	ControlCmd, ControlStatus (Set Dimmer Level Only), ControlResult
STATUS_REQ	0x03	Device Status Request	-
STATUS_RESP	0x04	Device Status Response	Refer to section 4.3
ENABLE_AU_REQ	0x81	Enable Auto Update Status Request	-
ENABLE_AU_RESP	0x82	Enable Auto Update Status Response	Result
DISABLE_AU_REQ	0x83	Disable Auto Update Status Request	-
DISABLE_AU_RESP	0x84	Disable Auto Update Status Response	Result
VERSION_REQ	0xF1	ZDCP version request	Refer to section 4.5
VERSION_RESP	0xF2	ZDCP version response	Refer to section 4.5

6.1.2 DeviceID

The 3-byte DeviceID is used to specify the identity of the target device in the ZigBee network.

If the ZigBee devices are configured through the HomeNET planner, the DeviceID of the target device should be ID (2-byte) + EP (1-byte), which ID and EP please refer to HomeNET planner. For example:

- An one-gang dimmer device on the HomeNET planner which ID is assigned to 0001, the DeviceID for CG102RS232 should be 000101.
- A two-gang switch device on the HomeNET planner which ID is assigned to 0002, the DeviceID for CG102RS232 of the first gang should be 000201 and the second gang should be 000202.

6.1.3 DeviceType

The 1-byte DeviceType is used to specify the device type of the target device. The different types of device are shown in Table 4-3.

Table 6-3 Identification of device type

DeviceType		Description
Name	Code	
DEVICE_SWITCH	0x01	Light switch device type
DEVICE_SOCKET	0x02	Power socket device type
DEVICE_DIMMER	0x03	Dimmer light switch device type
DEVICE_CURTAIN	0x04	Curtain control device type
DEVICE_IR	0x05	CG102IR device type

6.2 Device Control

In the device Control, 1 byte of Control Command (ControlCmd) is required in the parameter field of PDU to identify the control function. The different types of ControlCmd are shown in Table 4-4

Table 6-4 Device control command

ControlCmd		Description
Name	Code	
DEVICE_ON	0x01	Control device ON
DEVICE_OFF	0x02	Control device OFF
DIM_UP_START	0x11	Start to dim-up (Dimmer only)
DIM_UP_STOP	0x12	Stop to dim-up (Dimmer only)
DIM_DOWN_START	0x13	Start to dim-down (Dimmer only)
DIM_DOWN_STOP	0x14	Stop to dim-down (Dimmer only)
DIM_TO_LEVEL	0x15	Dim to a provided dimming level (Dimmer only)
CURTAIN_UP	0x21	Control curtain to move up when curtain is stopped Control curtain stop when curtain is moving
CURTAIN_DOWN	0x22	Control curtain to move down when curtain is stopped Control curtain stop when curtain is moving
SEND_IR_CODE	0x31	Control CG102IR to send infrared signal according to the provided IR signal code

When the device control PDU is sent to CG102RS232, a device control response with control result (ControlResult) is expect to be returned from CG102RS232 after the device control is accomplished. The ControlResult is used to indicate the result of the control. Table 4-5 shows the format of the ControlResult.

Table 6-5 Format of ControlResult

ControlResult		Description
Name	Code	
SUCCESS	0x00	Control device success
FAILURE	0x01	Control device failure

6.2.1 Device ON/OFF Control

To control device ON, following PDU is required send to CG102RS232:

Cmd	DeviceID	Device Type	Control Cmd
0x01			0x01
1 byte	3 bytes	1 byte	1 byte

Figure 6-3 Request PDU of control device ON

If the control device ON is accomplished, following PDU is expected to be returned from CG102RS232:

Cmd	DeviceID	Device Type	Control Cmd	Control Result
0x02			0x01	0x00
1 byte	3 bytes	1 byte	1 byte	1 byte

Figure 6-4 Response PDU of control device ON

If the target device cannot be reach during the control process, following PDU is expected to be returned from CG102RS232:

Cmd	DeviceID	Device Type	Control Cmd	Control Result
0x02			0x01	0x01
1 byte	3 bytes	1 byte	1 byte	1 byte

Figure 6-5 Response PDU of device not found

To control device OFF, following PDU is required send to CG102RS232:

Cmd	DeviceID	Device Type	Control Cmd
0x01			0x02
1 byte	3 bytes	1 byte	1 byte

Figure 6-6 Request PDU of control device OFF

If the control device OFF is accomplished, following PDU is expected to be returned from CG102RS232:

Cmd	DeviceID	Device Type	Control Cmd	Control Result
0x02			0x02	0x00
1 byte	3 bytes	1 byte	1 byte	1 byte

Figure 6-7 Response PDU of control device OFF

If the target device cannot be reach during the control process, following PDU is expected to be returned from CG102RS232:

Cmd	DeviceID	Device Type	Control Cmd	Control Result
0x02			0x02	0x01
1 byte	3 bytes	1 byte	1 byte	1 byte

Figure 6-8 Response PDU of device not found

6.2.2 Device Dimming Level Control

Device dimming level control is only applied to the control of dimmer device.

To control the dimmer start to dim-up, following PDU is required send to CG102RS232:

Cmd	DeviceID	Device Type	Control Cmd
0x01			0x11
1 byte	3 bytes	1 byte	1 byte

Figure 6-9 Request PDU of dimmer start to dim-up

If the control dimmer start dim-up is accomplished, following PDU is expected to be returned from CG102RS232:

Cmd	DeviceID	Device Type	Control Cmd	Control Result
0x02			0x11	0x00
1 byte	3 bytes	1 byte	1 byte	1 byte

Figure 6-10 Response PDU of dimmer start to dim-up

To control the dimmer stop to dim-up, following PDU is required send to CG102RS232:

Cmd	DeviceID	Device Type	Control Cmd
0x01			0x12
1 byte	3 bytes	1 byte	1 byte

Figure 6-11 Request PDU of dimmer stop to dim-up

If the control dimmer stop dim-up is accomplished, following PDU is expected to be returned from CG102RS232:

Cmd	DeviceID	Device Type	Control Cmd	Control Result
0x02			0x12	0x00
1 byte	3 bytes	1 byte	1 byte	1 byte

Figure 6-12 Response PDU of dimmer stop to dim-up

To control the dimmer start to dim-down, following PDU is required send to CG102RS232:

Cmd	DeviceID	Device Type	Control Cmd
0x01			0x13
1 byte	3 bytes	1 byte	1 byte

Figure 6-13 Request PDU of dimmer start to dim-down

If the control dimmer start dim-down is accomplished, following PDU is expected to be returned from CG102RS232:

Cmd	DeviceID	Device Type	Control Cmd	Control Result
0x02			0x13	0x00
1 byte	3 bytes	1 byte	1 byte	1 byte

Figure 6-14 Response PDU of dimmer start to dim-down

To control the dimmer stop to dim-down, following PDU is required send to CG102RS232:

Cmd	DeviceID	Device Type	Control Cmd
0x01			0x14
1 byte	3 bytes	1 byte	1 byte

Figure 6-15 Request PDU of dimmer stop to dim-down

If the control dimmer stop dim-down is accomplished, following PDU is expected to be returned from CG102RS232:

Cmd	DeviceID	Device Type	Control Cmd	Control Result
0x02			0x14	0x00
1 byte	3 bytes	1 byte	1 byte	1 byte

Figure 6-16 Response PDU of dimmer stop to dim-down

To control dimmer to a desired dimming level, the dimming level is required to provide in the PDU. Following is the example of PDU when the desired dimming level is 70% (Control Status is required set to the value of 70, 0x46 in hexadecimal):

Cmd	DeviceID	Device Type	Control Cmd	Control Status
0x01			0x15	0x46
1 byte	3 bytes	1 byte	1 byte	1 byte

Figure 6-17 Example of set the dimmer level of 70%

If the control dimmer level (70%) is accomplished, following PDU is expected to be returned from CG102RS232:

Cmd	DeviceID	Device Type	Control Cmd	Control Status	Control Result
0x02			0x15	0x46	0x00
1 byte	3 bytes	1 byte	1 byte	1 byte	1 byte

Figure 6-18 Example of response PDU of set the dimmer level of 70%

If the target device cannot be reach during the control process, the control result in response PDU from CG102RS232 will be FAILURE.

6.2.3 CG102IR Infrared Signal Control

Note: Infrared signal control is only available for the firmware version of 1.4.

To control CG102IR to send IR signal, following PDU is required send to CG102RS232 (IRCode please refer to the IRSI of the "IR Learning Tools"):

Cmd	DeviceID	Device Type	Control Cmd	IRCode
0x01		0x05	0x31	
1 byte	3 bytes	1 byte	1 byte	1 byte

Figure 6-19 Request PDU of control CG102IR to send IR signal

If the CG102IR is able to send the IR signal, following PDU is expected to be returned from CG102RS232:

Cmd	DeviceID	Device Type	Control Cmd	IRCode	Control Result
0x02		0x05	0x31		0x00
1 byte	3 bytes	1 byte	1 byte	1 byte	1 byte

Figure 6-20 Response PDU of control CG102IR to send IR signal

If the target CG102IR cannot be reach during the control process, following PDU is expected to be returned from CG102RS232:

Cmd	DeviceID	Device Type	Control Cmd	IRCode	Control Result
0x02		0x05	0x31		0x01
1 byte	3 bytes	1 byte	1 byte	1 byte	1 byte

Figure 6-21 Response PDU of CG102IR not found

6.3 Device Status Request

The general PDU format of the status response is shown in Figure 4-19.

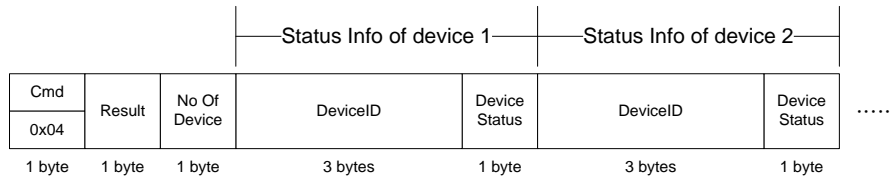


Figure 6-22 General PDU format of status response

The PDU of the status response comprises of different fields, which are summarized in the following table (Table 4-6):

Table 6-6 Summary of fields in the PDU of status response

Field	Description	Size
Cmd	Status Response Command	1 byte
Result	SUCCESS/FAILURE	1 byte
No of Device	Indicate number of device status	1 byte
DeviceID	The device ID of response device	3 byte
Device Status	The status of response device	1 byte

In the device status response PDU, multiple sets of device status information (DeviceID+DeviceStatus) may present in one PDU when the responding device has more than one control end-point (e.g. the two-gang switch). The number of set of device status information is indicated by the field "No Of Device". Within a set of device status information, 1 byte of Device Status (DeviceStatus) is expected follow the DeviceID to indicate status of the target device. The status of device are shown in Table 4-7

Table 6-7 Device status

DeviceStatus		Description
Name	Code	
STATUS_OFF	0x00	Device status is OFF
STATUS_ON	0xFF	Device status is ON
STATUS_DIMMING_LEVEL	0x00 – 0x64	Indicate the dimming level from 0% to 100% (Dimmer only)

To acquire the device status, following PDU is required send to CG102RS232:

Cmd	DeviceID	Device Type
0x03		
1 byte	3 bytes	1 byte

Figure 6-23 Request PDU of acquire device status

If the target device has single control end-point and such control end-point is turning ON, following PDU is expected to be returned from CG102RS232:

Cmd	Result	No Of Device	DeviceID	Device Status
0x04	0x00	0x01		0xFF
1 byte	1 byte	1 byte	3 bytes	1 byte

Figure 6-24 Response PDU of device status ON

If the target device has single control end-point and such control end-point is turning OFF, following PDU is expected to be returned from CG102RS232:

Cmd	Result	No Of Device	DeviceID	Device Status
0x04	0x00	0x01		0x00
1 byte	1 byte	1 byte	3 bytes	1 byte

Figure 6-25 Response PDU of device status OFF

If the target dimmer is turning ON at 40%, following PDU is expected to be returned from CG102RS232:

Cmd	DeviceID	Device Type	Device Status
0x03			0x28
1 byte	3 bytes	1 byte	1 byte

Figure 6-26 Response PDU of dimmer status at 40%

If the target device has two control end-points, and one of the control end-points is turning ON and another control end-point is turning OFF, following PDU is expected to be returned from CG102RS232:

Cmd	Result	No Of Device	DeviceID	Device Status	DeviceID	Device Status
0x04	0x00	0x02		0xFF		0x00
1 byte	1 byte	1 byte	3 bytes	1 byte	3 bytes	1 byte

Figure 6-27 Response PDU of device status which one of the end-points is ON and another en-point is OFF

6.4 Auto Update of Device Status

The auto status update is supported by device type of Switch, Socket and Dimmer. Such function allows the controller (Panel, CG102RS232, etc) to be updated once the status of device (Switch, Socket or Dimmer) is changed. The command ENABLE_AU_REQ is used to enable such functionality of a target device and the command DISABLE_AU_REQ is used to enable such functionality of a target device. When the ENABLE_AU_REQ is sent to a device from a controller, the controller will be registered to the device memory and the device will send status response (refer to section 4.3) to the controller automatically when the status of the device is changed. Please note that, each device (Switch, Socket or Dimmer) is able to register **maximum EIGHT (8) controller information**. Therefore, please ensure the number of registered controller (Panel, CG102RS232, etc) of a device is not exceeding EIGHT for each device.

Following is the example format of the PDU from a CG102RS232 to a device for register the controller for auto status update:

Cmd	DeviceID	Device Type
0x81		
1 byte	3 bytes	1 byte

Figure 6-28 PDU format to enable a target device for auto status update

If the target device is found and such device is supporting auto status update, following PDU will be return from the CG102RS232:

Cmd	DeviceID	Device Type	Result
0x82			0x00
1 byte	3 bytes	1 byte	1 byte

Figure 6-29 Response PDU format for enabling the auto status update successfully

Otherwise, following PDU will be return from the CG102RS232 to indicate the request action is failed:

Cmd	DeviceID	Device Type	Result
0x82			0x01
1 byte	3 bytes	1 byte	1 byte

Figure 6-30 Response PDU format when enable the auto status update failed

Following is the example format of the PDU from a CG102RS232 to a device for deregistering the controller for auto status update:

Cmd	DeviceID	Device Type
0x83		
1 byte	3 bytes	1 byte

Figure 6-31 PDU format to disable a target device for auto status update

If the target device is found and such device is supporting auto status update, following PDU will be return from the CG102RS232:

Cmd	DeviceID	Device Type	Result
0x84			0x00
1 byte	3 bytes	1 byte	1 byte

Figure 6-32 Response PDU format for disabling the auto status update successfully

Otherwise, following PDU will be return from the CG102RS232 to indicate the request action is failed:

Cmd	DeviceID	Device Type	Result
0x84			0x01
1 byte	3 bytes	1 byte	1 byte

Figure 6-33 Response PDU format when disable the auto status update failed

6.5 ZDCP Version Enquiry

To enquire the version of ZDCP of a CG102RS232, following PDU (only comprises of Cmd field) is required send to CG102RS232:

Cmd
0xF1
1 byte

Figure 6-34 Request to enquire the ZDCP version of CG102RS232

If the ZDCP of the CG102RS232 is version 1.2 or above, following PDU is expected to be returned from CG102RS232:

Cmd	Version
0xF2	
1 byte	4 bytes

Figure 6-35 Responding PDU of ZDCP version enquiry

In the response of ZDCP version enquiry, 4 bytes of ASCII code are following the Cmd field. The 4-byte ASCII code is used to indicate the version number of the ZDCP within the CG102RS232. The first two ASCII code are the version number before the decimal point and the last two are the version number after the decimal point. For example, when the version of ZDCP is 1.2, the response ASCII code will be {'0','1','0','2'} (Figure 4-27).

Cmd	Version			
0xF2	0x30	0x31	0x30	0x32
1 byte	4 bytes			

Figure 6-36 Responding PDU of ZDCP version enquiry form a CG102RS232 with ZDCP version 1.2

6.6 Operation Policy

In the operation of devices control and status request through the CG102RS232, following policies are strongly recommended.

In the operation of single device control/status request, the CG102RS232 will response to the external system within two seconds (refer as the Operation Period) when receiving the request from external system. The interval of Operation Period is depending on the traffic loading of ZigBee network and distance of the target device. The external system is not recommended to send any request to CG102RS232 within the Operation Period. Under normal operation:

- if the target device is reachable by the CG102RS232 directly, the CG102RS232 may response to the external system within 0.5 second;
- if the target device is reachable by the CG102RS232 through multiple ZigBee network hops, the CG102RS232 may response to the external system within two seconds;
- if the target device is unreachable by the ZigBee network, the CG102RS232 will response to the external system after two seconds with the FAILURE response.

After the external system received the response from CG102RS232, the external system may send another request to the CG102RS232 immediately.

7. Specification

Item	Description																														
Power supply	Powered by external AC adaptor DC6V 1A																														
ZigBee wireless communication	ZigBee wireless remote control Based on IEEE 802.15.4																														
RF frequency	2.4GHZ																														
RS232 Serial interface	Standard DB9 female connector <div style="display: flex; justify-content: space-around; align-items: center;"> <div style="text-align: center;"> <p>RS232 female</p> </div> <div style="text-align: center;"> </div> </div> <p>Figure 2-2 RS232 Interface connection between external system and ZBCA</p> <p style="text-align: center;">Table 2-1 Physical characteristics of the UART interface</p> <table border="1" style="width: 100%; border-collapse: collapse;"> <thead> <tr> <th>PARAMETER</th> <th>MIN</th> <th>TYP</th> <th>MAX</th> <th>UNIT</th> </tr> </thead> <tbody> <tr> <td>Date Rate</td> <td>-</td> <td>57,600</td> <td>-</td> <td>bps</td> </tr> <tr> <td>Framing</td> <td colspan="4" style="text-align: center;">8N1</td> </tr> <tr> <td>Hardware flow control</td> <td colspan="4" style="text-align: center;">Nil</td> </tr> <tr> <td>Voltage Level of bit '0'</td> <td>+5</td> <td>12</td> <td>15</td> <td>V</td> </tr> <tr> <td>Voltage Level of bit '1'</td> <td>-15</td> <td>12</td> <td>-5</td> <td>V</td> </tr> </tbody> </table>	PARAMETER	MIN	TYP	MAX	UNIT	Date Rate	-	57,600	-	bps	Framing	8N1				Hardware flow control	Nil				Voltage Level of bit '0'	+5	12	15	V	Voltage Level of bit '1'	-15	12	-5	V
PARAMETER	MIN	TYP	MAX	UNIT																											
Date Rate	-	57,600	-	bps																											
Framing	8N1																														
Hardware flow control	Nil																														
Voltage Level of bit '0'	+5	12	15	V																											
Voltage Level of bit '1'	-15	12	-5	V																											
RF frequency	2.4GHZ																														
Operating temperature	0°C to 40°C																														
Operating humidity	5% to 95% non-condensing																														
Unit Dimension L x W x D (mm)	130 x 130 x 402mm																														
Storage	-20°C to 70°C																														