

CG120 SERIES

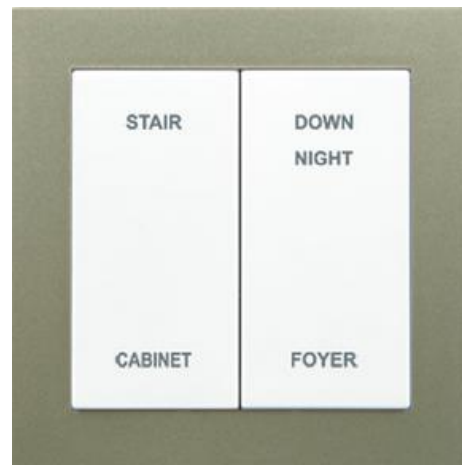
ZIGBEE WIRELESS FLEX CONTROL PLATE

USER MANUAL



CG120H1

1-Scene FLEX Control Plate



CG120H2

4-Scene FLEX Control Plate

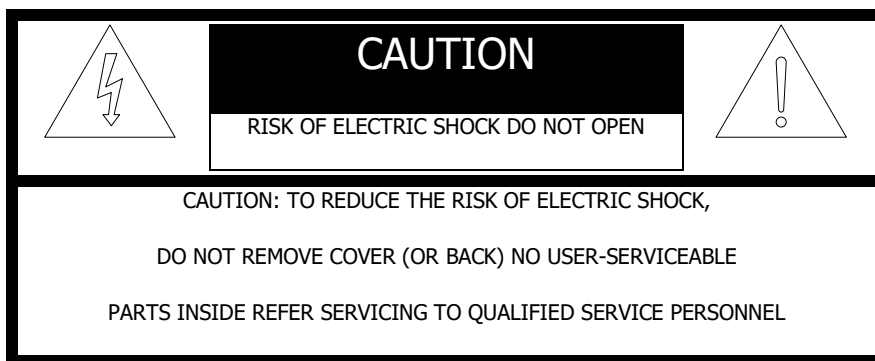
VERSION 1.1

14 JANUARY, 2020

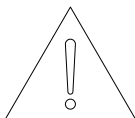
Disclaimers and Copyright

Nothing contained in this publication is to be construed as granting any right, by implication or otherwise, for the manufacture, sale, or use in connection with any method, apparatus, or product covered by letters patent, or as insuring anyone against liability for infringement of letters patent.

Efforts have been made to ensure the accuracy and reliability of the data contained in this publication; however, CityGrow Energy Systems Limited makes no representation, warranty, or guarantee in connection with this publication and hereby expressly disclaims any liability or responsibility for loss or damage resulting from its use or from the use of any product or methodology described herein; for any violation of any federal, state, or municipal regulation with which this publication may conflict; or for the infringement of any patent from the use of this publication. Nothing contained in this publication should be viewed as an endorsement by CityGrow Energy Systems Limited of any particular manufacturer's products.



The lightning flash with arrowhead symbol within an equilateral triangle is intended to alert the user to the presence of uninsulated "dangerous voltage" within the product's enclosure that may be of sufficient magnitude to constitute a risk of electric shock to persons.



The exclamation point within an equilateral triangle is intended to alert the user to the presence of important operating and maintenance (servicing) instructions in the literature accompanying the product.

IMPORTANT SAFETY INSTRUCTIONS

READ BEFORE OPERATING EQUIPMENT

This product was designed and manufactured to meet strict quality and safety standards.

There are, however, some installation and operation precautions which you should be particularly aware of.

1. Read these instructions.
2. Keep these instructions.
3. Heed all warnings.
4. Follow all instructions.
5. Do not use this apparatus near water.
6. Clean only with dry cloth.
7. Do not block any ventilation openings. Install in accordance with the manufacturer's instructions.
8. Do not install near any heat sources such as radiators, heat registers, stoves, or other apparatus that produce heat.
9. Do not defeat the safety purpose of the polarized or grounding-type plug. If the provided plug does not fit into your outlet, consult an electrician for replacement of the outlet.
10. Protect the power cord from being walked on or pinched particularly at plugs, convenience receptacles, and the point where they exit from the apparatus.
11. Only use attachments/accessories specified by the manufacturer.
12. Use only with the cart, stand, tripod, bracket, or table specified by the manufacturer, or sold with the apparatus. When a cart is used, use caution when moving the cart/apparatus combination to avoid injury from tip-over.
13. Unplug this apparatus during lightning storms.
14. Refer all servicing to qualified service personnel. Servicing is required when the apparatus has been damaged in any way, such as power-supply cord or plug is damaged, liquid has been spilled or objects have fallen into the apparatus, the apparatus has been exposed to rain or moisture, does not operate normally, or has been dropped.

Table of content

1. Introduction	1
2. Understanding the product	2
3. Dimensions	3
4. Installation.....	3
5. Operation instruction	5
6. Adding the product to your Home Wireless ZigBee Network	6
7. Specification.....	7

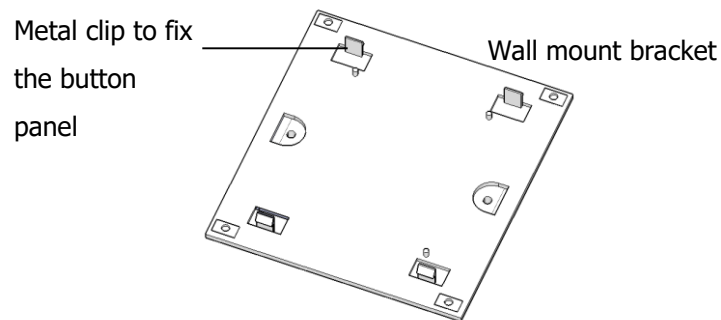
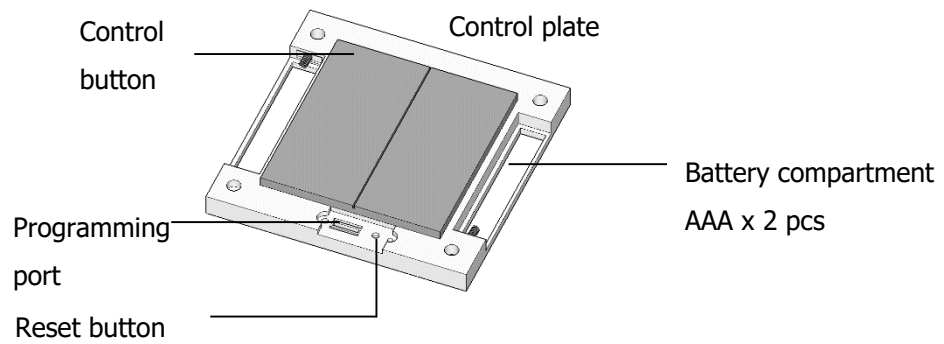
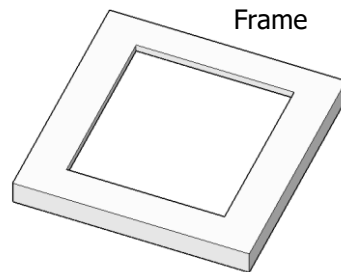
1. Introduction

Thank you for choosing CityGrow's product. CG120 Series is highly-functional, highly-flexible and user-friendly. It is specially designed for DIY installation. The products are designed for wireless Home Automation control purpose.

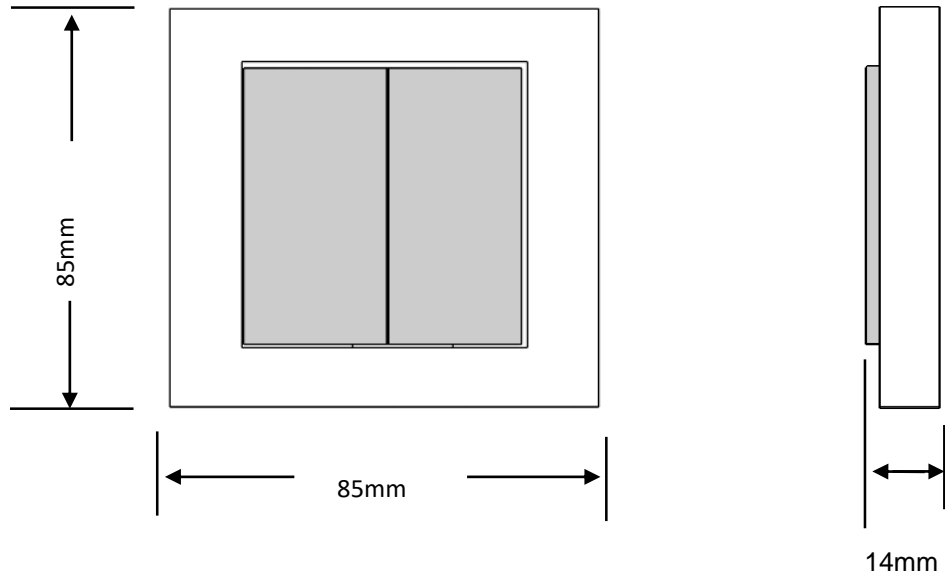
Description

1. CG120 Series is specially designed for DIY installation.
2. Highly flexible.
3. ZigBee wireless remote control.
4. Based on IEEE 802.15.4.
5. 2.4GHz radio frequency.
6. Remote control function.
7. Fully compatible with CityGrow switches and dimmers.
8. Battery operated (AAA battery x 2 pcs).
9. Low battery sound notification.
10. Screw mount or tape mount.
11. Plate button can perform two-way function.
12. Plate button can perform scene control function.
13. Button graphics can be customized.
14. With CG102BS-R Base Station, all devices support iOS/Android App control.
15. Easy to install.

2. Understanding the product

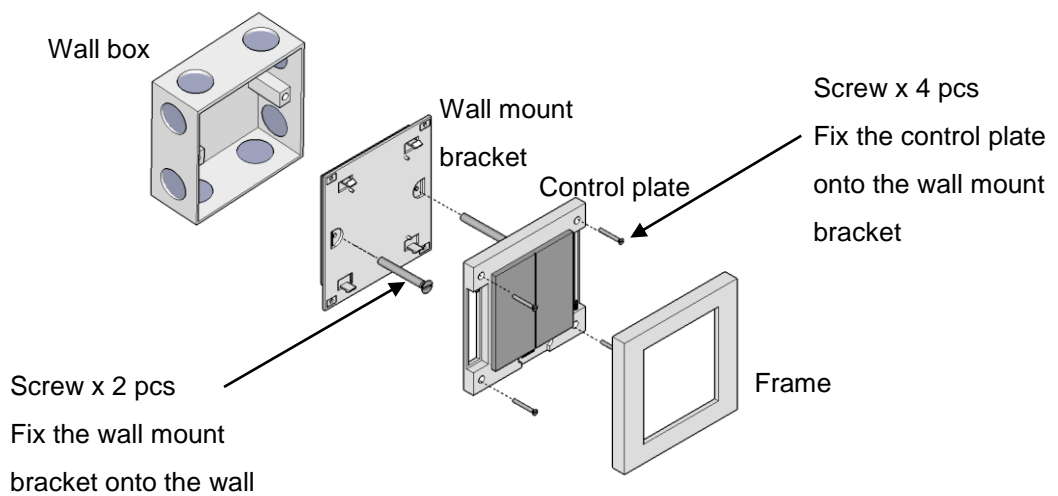


3. Dimensions

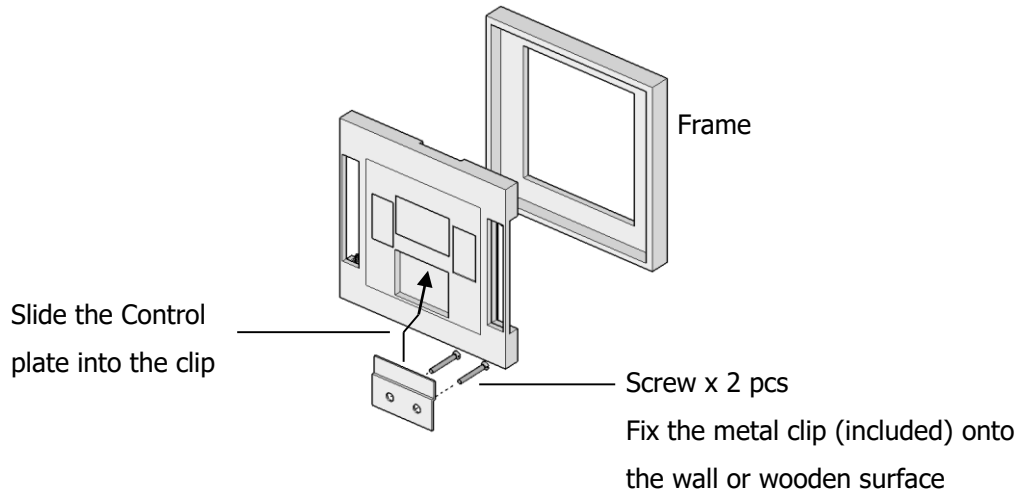


4. Installation

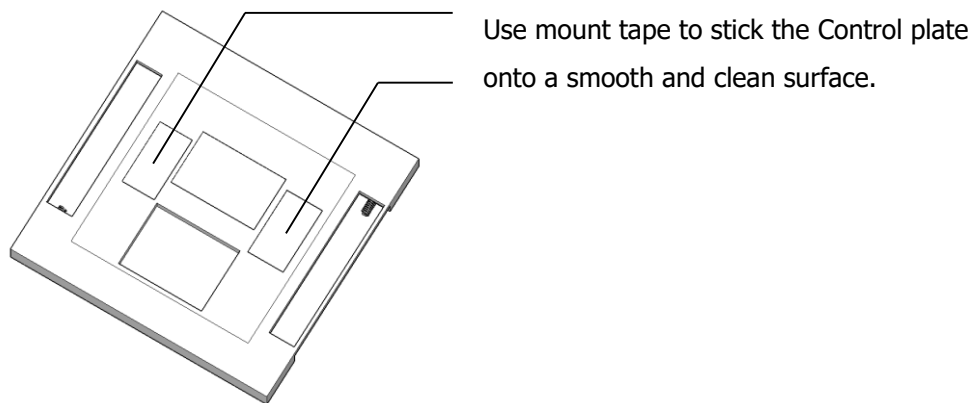
Option 1: Wall mount installation (with wall box)



Option 2: Wall mount installation (without wall box)

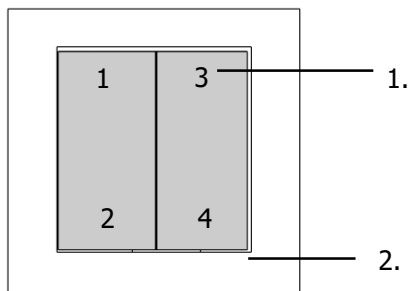


Option 3: Tape mount installation



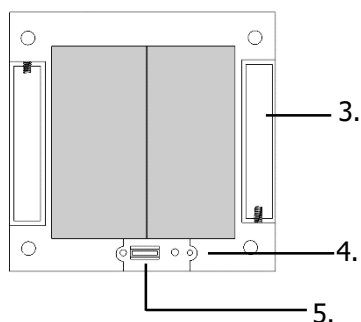
5. Operation instruction

COVER PLATE



1. "1, 2, 3, 4" are the control buttons.
2. Frame

MAIN UNIT



3. AAA battery x 2 pcs.
4. Reset button
5. Program port

Button 1, 2, 3, 4 can be programmed as ON/OFF switch, or Dim up/ Dim Down or Scene control function. Setup programming can be done through CityGrow HomeNET Planner 2 Software.

Upon completion of the setup, press the button to activate the programmed function.

6. Adding the product to your Home Wireless ZigBee Network

<p>The diagram illustrates the connection process in three steps:</p> <ol style="list-style-type: none"> Step 1: A 5-pin connector is plugged into the bottom of the device's front cover. Step 2: The other end of the cable is plugged into the mini USB port of the CG101UTC cable. Step 3: The CG101UTC cable is plugged into the USB port of a laptop. 	<p>STEP 1</p> <p>Open the front cover, you will see a 5-pin program port connector.</p> <p>STEP 2</p> <p>Plug the CG101UT5 cable into the 5-pin connector of the product, and then plug the other end of the CG101UT5 cable into the mini USB end of the CG101UTC cable.</p> <p>STEP 3</p> <p>Plug the CG101UTC cable into the USB port of a PC that is installed with Citygrow's HomeNET Planner Software.</p> <p>STEP 4</p> <p>Refer to the user manual of "HomeNET Planner" Software to program and set the address of the product.</p>
---	--

7. Specification

	CG120H1	CG120H2
Description	1-Scene FLEX Control Plate	4-Scene FLEX Control Plate
Power supply	AAA battery x 2	
Maximum number of devices can be programmed in scene setting	150	
Remarks: <ol style="list-style-type: none"> 1. When "Up" button has been programmed as dimming up function, the "Down" button cannot be programmed with scene function. 2. Each product can be programmed and control up to 150 devices. 		
Two-way control function	Support	
Control communications	ZigBee, IEEE 802.15.4	
Radio frequency	2.4 GHz, 15 channel	
Remote control distance (line of sight)	100M	
Operational temperature	0°C to 40°C	
Humidity	5% to 95% non-condensing	
Storage	-20°C to 70°C	
Dimension L X W x D (mm)	85x85x14	