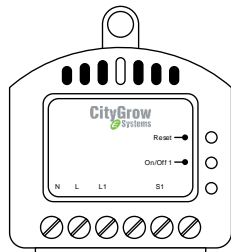


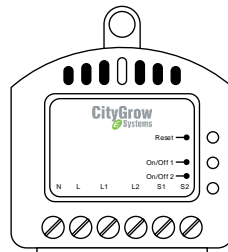
CG403 SERIES

ZIGBEE WIRELESS MODULE

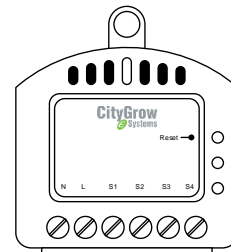
USER MANUAL



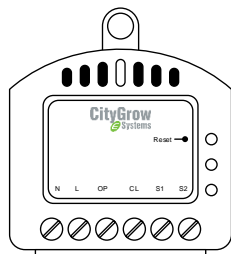
CG403S1
One-Gang Switch Module



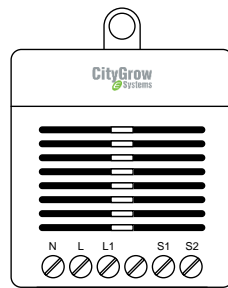
CG403S2
Two-Gang Switch Module



CG403R
Two-Gang Switch Module



CG403S2-CCP
One-Gang Curtain Control
Switch Module



CG403DM
One-Gang Dimmer Module

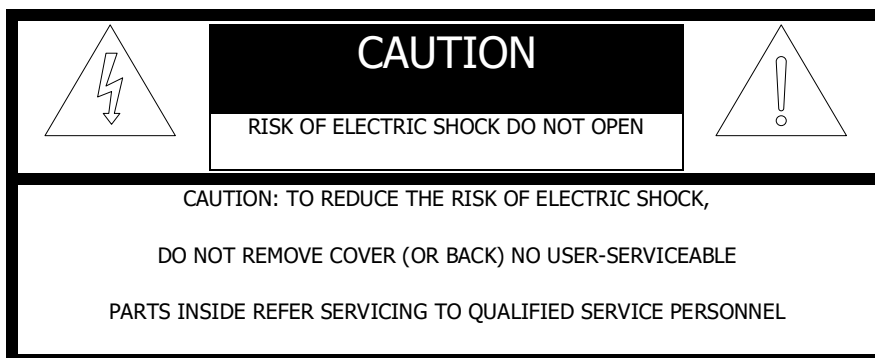
VERSION 1.3

13 JANUARY, 2021

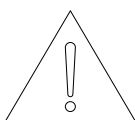
Disclaimers and Copyright

Nothing contained in this publication is to be construed as granting any right, by implication or otherwise, for the manufacture, sale, or use in connection with any method, apparatus, or product covered by letters patent, or as insuring anyone against liability for infringement of letters patent.

Efforts have been made to ensure the accuracy and reliability of the data contained in this publication; however, CityGrow Energy Systems Limited makes no representation, warranty, or guarantee in connection with this publication and hereby expressly disclaims any liability or responsibility for loss or damage resulting from its use or from the use of any product or methodology described herein; for any violation of any federal, state, or municipal regulation with which this publication may conflict; or for the infringement of any patent from the use of this publication. Nothing contained in this publication should be viewed as an endorsement by CityGrow Energy Systems Limited of any particular manufacturer's products.



The lightning flash with arrowhead symbol within an equilateral triangle is intended to alert the user to the presence of uninsulated "dangerous voltage" within the product's enclosure that may be of sufficient magnitude to constitute a risk of electric shock to persons.



The exclamation point within an equilateral triangle is intended to alert the user to the presence of important operating and maintenance (servicing) instructions in the literature accompanying the product.

IMPORTANT SAFETY INSTRUCTIONS

READ BEFORE OPERATING EQUIPMENT

This product was designed and manufactured to meet strict quality and safety standards.

There are, however, some installation and operation precautions which you should be particularly aware of.

1. Read these instructions.
2. Keep these instructions.
3. Heed all warnings.
4. Follow all instructions.
5. Do not use this apparatus near water.
6. Clean only with dry cloth.
7. Do not block any ventilation openings. Install in accordance with the manufacturer's instructions.
8. Do not install near any heat sources such as radiators, heat registers, stoves, or other apparatus that produce heat.
9. Do not defeat the safety purpose of the polarized or grounding-type plug. If the provided plug does not fit into your outlet, consult an electrician for replacement of the outlet.
10. Protect the power cord from being walked on or pinched particularly at plugs, convenience receptacles, and the point where they exit from the apparatus.
11. Only use attachments/accessories specified by the manufacturer.
12. Use only with the cart, stand, tripod, bracket, or table specified by the manufacturer, or sold with the apparatus. When a cart is used, use caution when moving the cart/apparatus combination to avoid injury from tip-over.
13. Unplug this apparatus during lightning storms.
14. Refer all servicing to qualified service personnel. Servicing is required when the apparatus has been damaged in any way, such as power-supply cord or plug is damaged, liquid has been spilled or objects have fallen into the apparatus, the apparatus has been exposed to rain or moisture, does not operate normally, or has been dropped.

Table of content

1. Introduction	1
2. Understanding the product	2
2.1. CG403S1	2
2.2. CG403S2	2
2.3. CG403DM	3
2.4. CG403R.....	3
2.5. CG403S2-CCP	4
3. Dimensions	5
4. Wiring	6
4.1. CG403S1	6
4.2. CG403S2	7
4.3. CG403DM	7
4.4. CG403R.....	8
4.5. CG403S2-CCP	8
5. Specification.....	9

1. Introduction

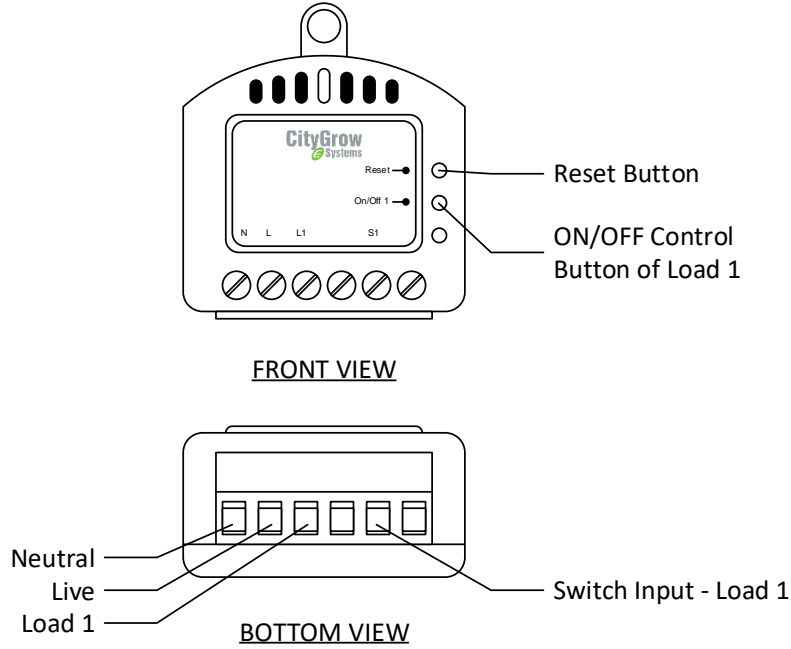
Thank you for choosing CityGrow's product. CG403 Series is highly-functional, user-friendly and installation-friendly. These products are specially designed for Home Automation and lighting control purpose.

Description

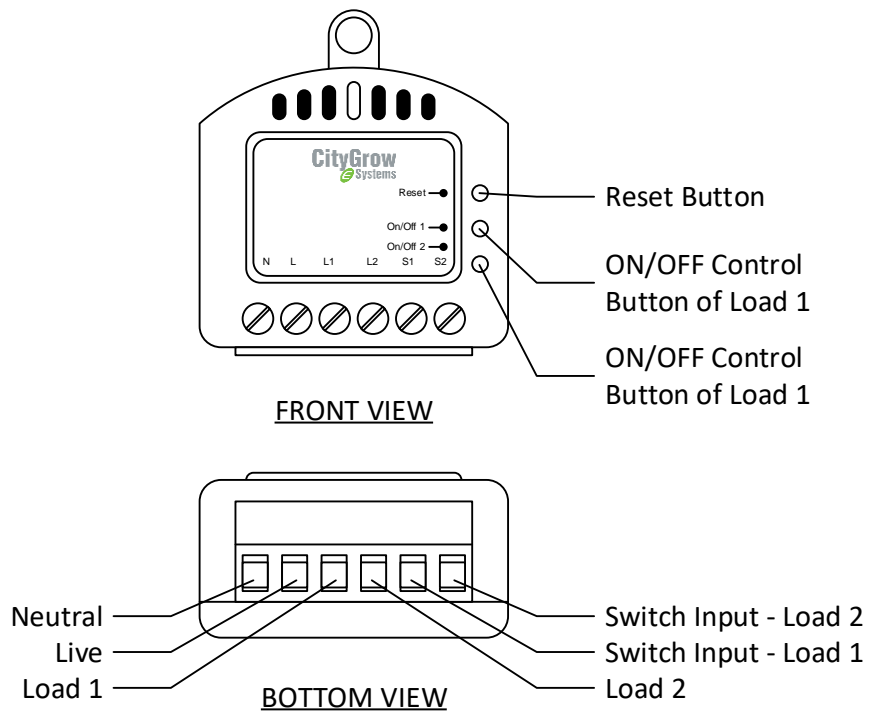
1. ZigBee wireless remote control.
2. Based on IEEE 802.15.4.
3. 2.4GHz radio frequency.
4. LED indicator for status indication.
5. Local Test button.
6. Local Reset button.
7. Compact size and easy to install in suspended ceiling.
8. Direct AC 220V input.
9. CG403S1/S2 – On/Off control.
10. CG403R – remote control, scene control and group control.
11. CG403S2-CCP – Open/Close control for electric or motorized curtain and window blind.
12. All the modules can be remotely controlled by CityGrow's ZigBee devices/panels.
13. With CG102BS-R Base Station, all devices support iOS/Android App control.

2. Understanding the product

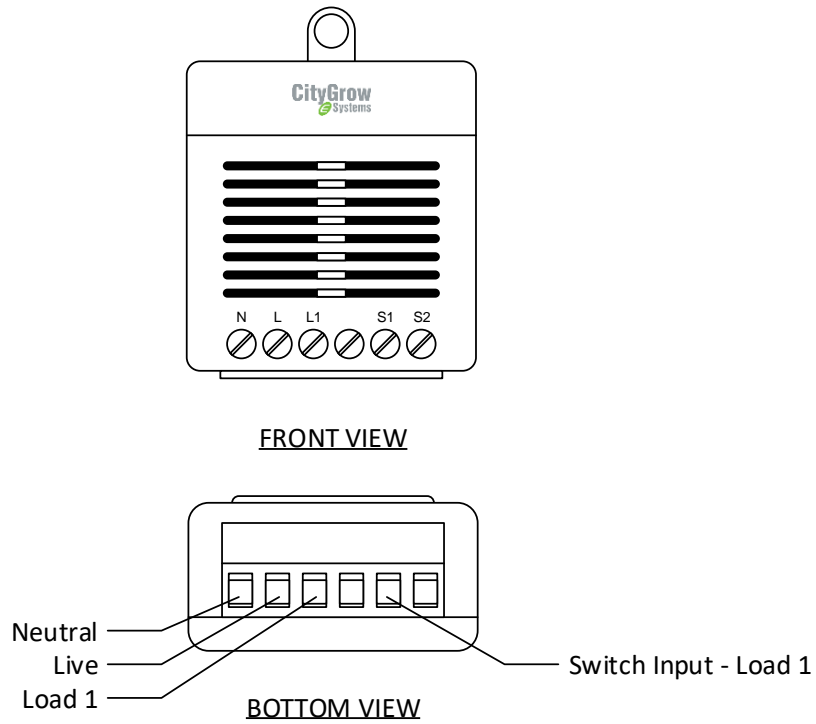
2.1. CG403S1



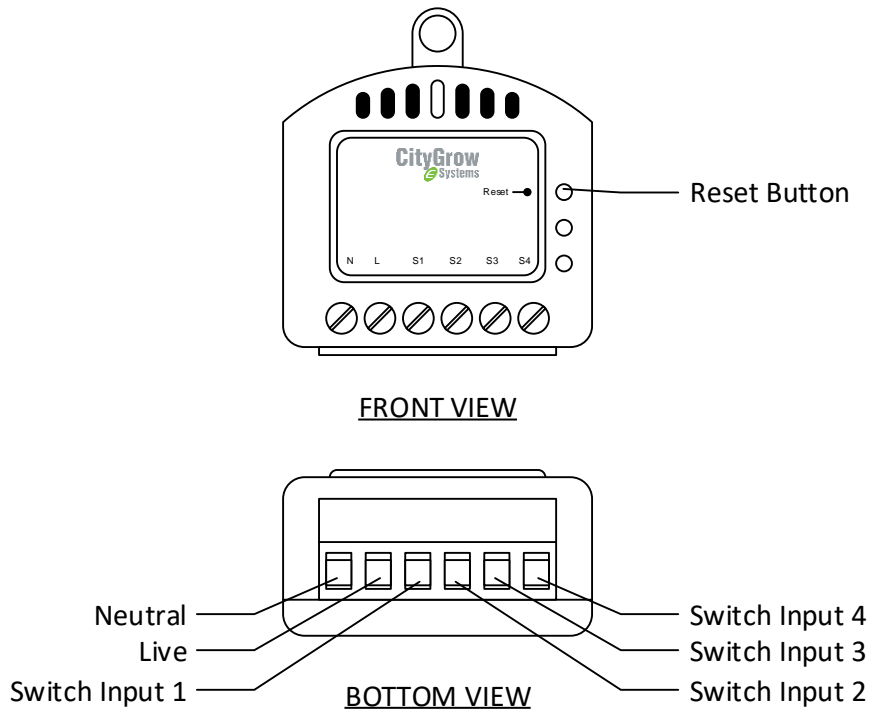
2.2. CG403S2



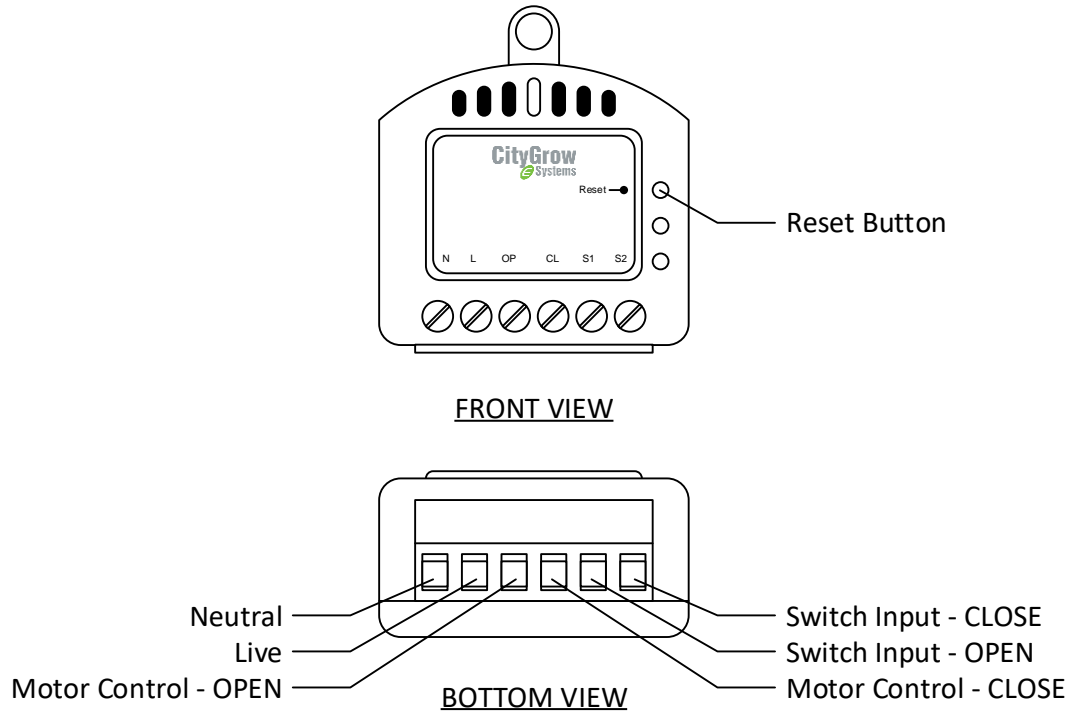
2.3. CG403DM



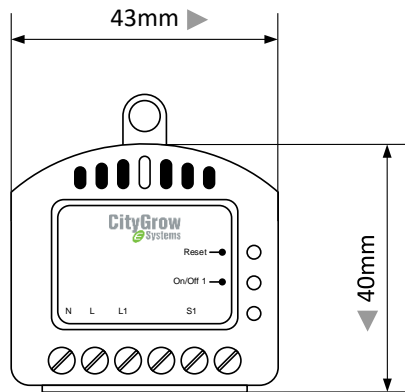
2.4. CG403R



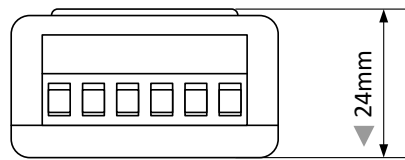
2.5. CG403S2-CCP



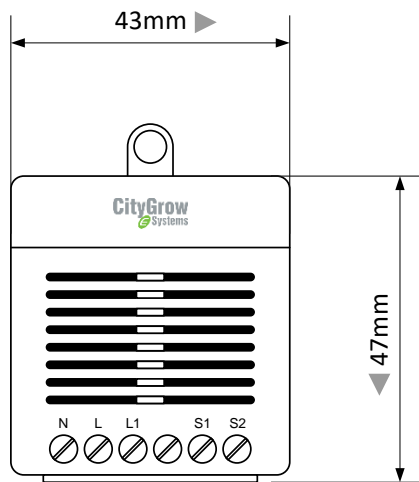
3. Dimensions



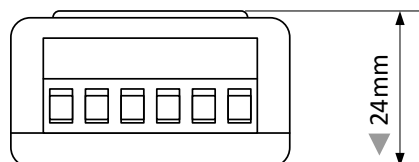
FRONT VIEW



BOTTOM VIEW



FRONT VIEW



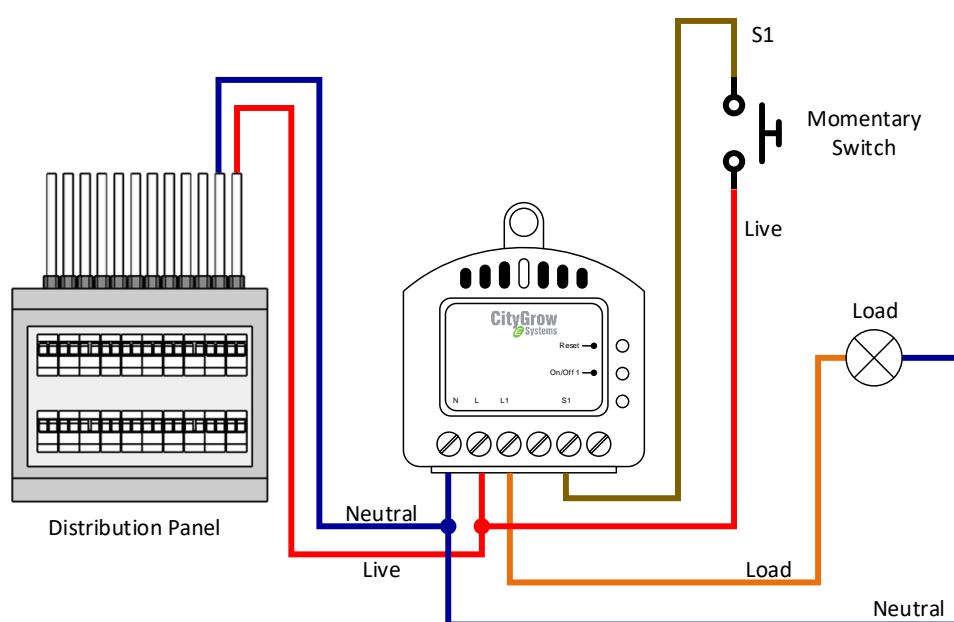
BOTTOM VIEW

4. Wiring

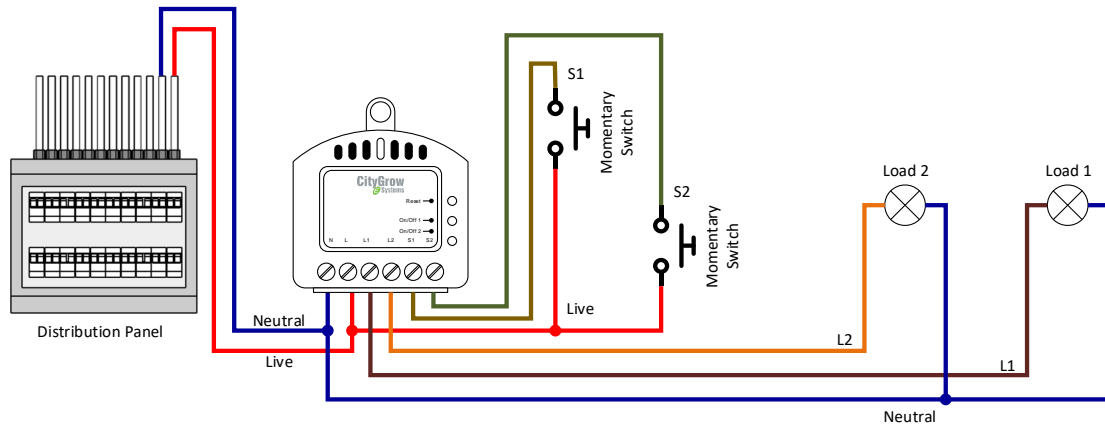
Before getting started

- ⚠️ WARNING! It must be installed by a qualified electrician in accordance with all applicable regulations and building codes. Improper wiring can result in personal injury or damage to control units or other equipment. Always turn off circuit breaker or remove main fuse from power line before doing any work. To avoid overheating and possible damage to equipment.
- ⚠️ WARNING! Do not operate when any lamps removed or burned out; replace any burned out lamps immediately; use only transformers that incorporate thermal protection or fused primary windings. ! This product is designed for residential and commercial use, for indoor use only.
- ⚠️ WARNING! Install in accordance to all national and local electrical codes.
- ⚠️ IMPORTANT! Citygrow® is not liable for any damage incurred with the misuse of the product.
- ⚠️ IMPORTANT! Pre-setup can only be done by a professional technician or manufacturer agent.

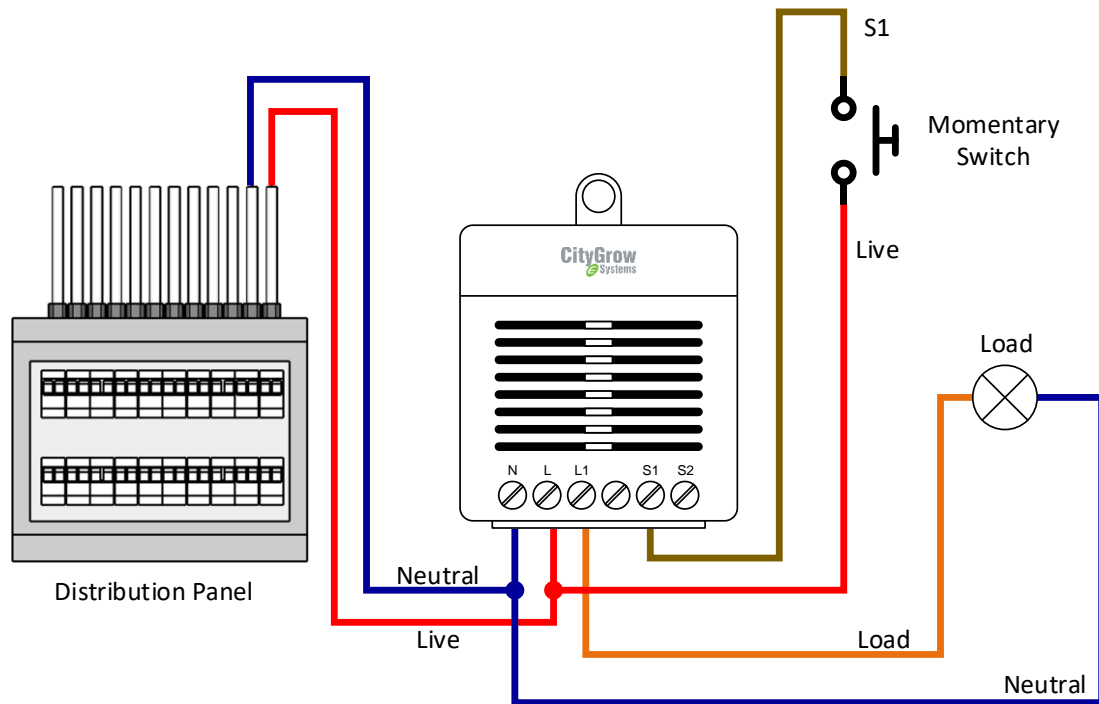
4.1. CG403S1



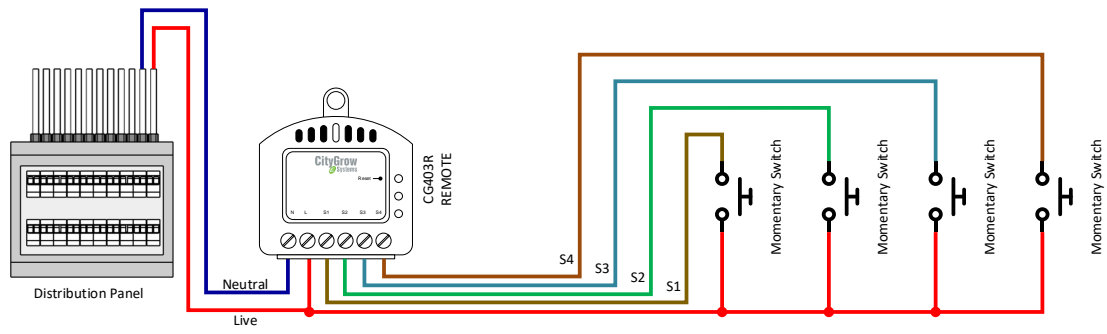
4.2. CG403S2



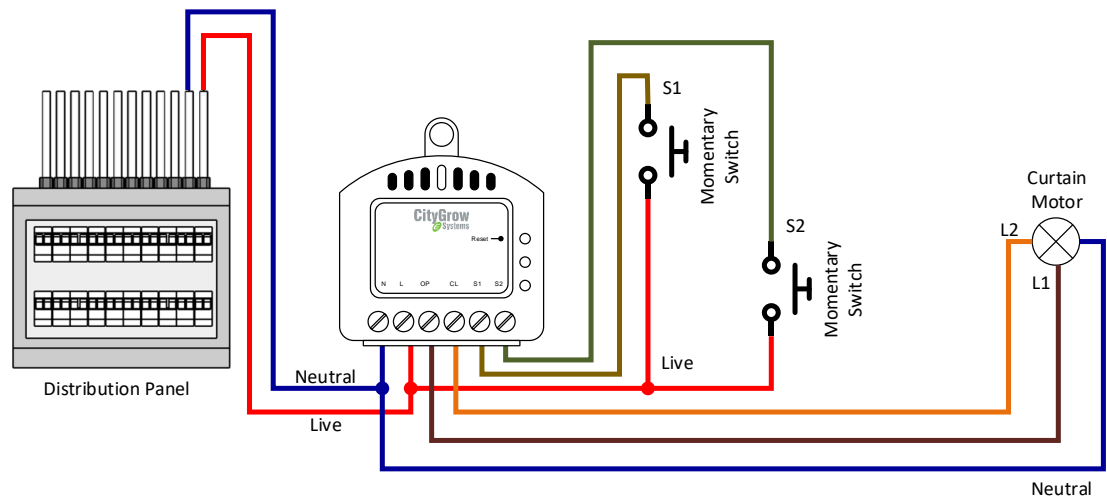
4.3. CG403DM



4.4. CG403R



4.5. CG403S2-CCP



5. Specification

	CG403S1	CG403S2	CG403DM	CG403S2-CCP	CG403R
Description	One-Gang Switch Module	Two-Gang Switch Module	One-Gang Dimmer Module	One-Gang Curtain Control Switch Module	Four-Gang Remote Control Module
Operating voltage	AV 220-240V, 50Hz				
Function	<ol style="list-style-type: none"> 1. Build-in relay to control lighting circuit On/Off. 2. One input for momentary type switch. 3. Support wireless remote control with CityGrow's ZigBee keypads / devices. 	<ol style="list-style-type: none"> 1. Build-in two relays to control lighting circuits On/Off. 2. Two inputs for momentary type switch. 3. Support wireless remote control with CityGrow's ZigBee keypads / devices. 	<ol style="list-style-type: none"> 1. One-gang Leading-edge dimmer. 2. One input for momentary type switch. 3. Dim-up and dim-down by holding the momentary switch. 4. Support wireless remote control with CityGrow's ZigBee keypads / devices. 	<ol style="list-style-type: none"> 1. To control open/close /stop of electric curtain motor. 2. Build-in two relays to control forward and reverse motion for electric motorized curtain. 3. Two inputs for momentary type switch. 4. Preset curtain Open/Close travel time. 5. Support wireless remote control with CityGrow's ZigBee control panels/ devices. 	<ol style="list-style-type: none"> 1. Four inputs for momentary type switch. 2. Support wireless remote control with CityGrow's ZigBee devices. 3. Support group control and scene control.
Control communications	ZigBee, IEEE 802.15.4				
Radio frequency	2.4 GHz, 15 channel				
Radio reception range	100M (line of sight)				
Operational temperature	0 deg C to 40 deg C				
Humidity	5% to 95% non-condensing				
Storage	-20 deg C to 70 deg C				
Dimension L X W x D (mm)	40x43x24	40x43x24	47x43x24	40x43x24	40x43x24

Specifications - Loads

	CG403S1	CG403S2	CG403DM	CG403S2-CCP	CG403R
Description	One-Gang Switch Module	Two-Gang Switch Module	One-Gang Dimmer Module	One-Gang Curtain Control Switch Module	Four-Gang Remote Control Module
Resistive load (Per Gang) 1. Incandescent 2. Halogen 3. Electronic low voltage – ELV transformer	1000W	800W	200W	N/A	N/A
Inductive load (Per Gang) 1. Magnetic low voltage – MLV transformer. 2. Iron core / Inductive transformer	1000VA	800VA	200VA	N/A	N/A
Fluorescent (Per Gang)	700W	600W	N/A	N/A	N/A
Compact fluorescent - CFL (Per Gang)	400W Max. 24 pcs CFL**	300W Max. 12 pcs CFL**	N/A	N/A	N/A
LED – GU10 (Per Gang)	200W	200W	20W	N/A	N/A
LED – MR16, MR11 (Per Gang) With electronic low	400W	400W	40W	N/A	N/A

voltage LED driver	Max. 24 pcs ELV LED driver*	Max. 24 pcs ELV LED driver**	Max. 8pcs ELV LED driver**		
LED strip (Per Gang) With electronic low voltage driver	400W Max. 5 pcs ELV LED driver**	400W Max. 5 pcs ELV LED driver**	N/A	N/A	N/A
Exhaust fan (Per Gang)	300VA	300VA	N/A	N/A	N/A
3 wire type AC curtain motor	N/A	N/A	N/A	300VA	N/A
Minimum load	N/A	N/A	4W	N/A	N/A

**Remarks:

1. The maximum load requirements for fluorescent, CFL and LED loads can vary greatly depending upon the specific fixture and /or bulb being used.