

CG100H SERIES - INSTALLATION GUIDE



CG100H4-MD
8-Scene
Control Plate



CG100HTH
CG100HTHV1
Thermostat



CG100H4-MD
8-Scene Control
Plate



CG100H8-MD
8-Scene Twin Control
Plate

Ratings (see product spec. for details)

Operating Voltage

DC 6V

Power Supply

CityGrow CG101AD Mini Power Supply



Before getting started

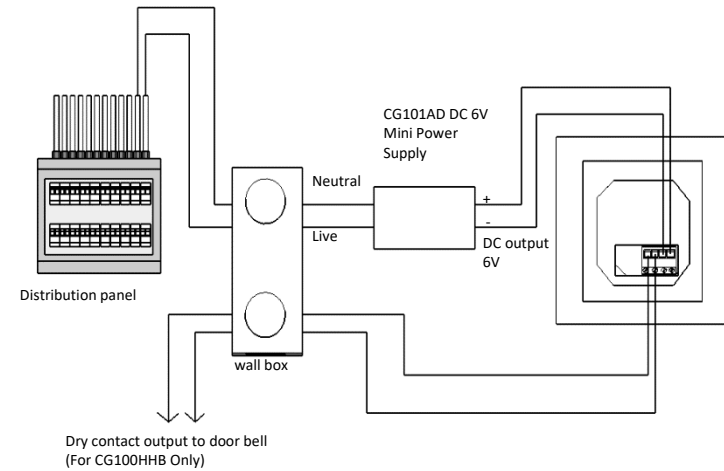
- ⚠️ **WARNING!** It must be installed by a qualified electrician in accordance to all applicable regulations and building codes. Improper wiring can result in personal injury or damage to control units or other equipment. Always turn off circuit breaker or remove main fuse from power line before doing any work. To avoid overheating and possible damage to equipment.
- ⚠️ **WARNING!** Do not operate when any lamps removed or burned out; replace any burned out lamps immediately; use only transformers that incorporate thermal protection or fused primary windings. ! This product is designed for residential and commercial use, for indoor use only.
- ⚠️ **WARNING!** Install in accordance to all national and local electrical codes.
- ⚠️ **IMPORTANT!** CityGrow® is not liable for any damage incurred with the misuse of the product.
- ⚠️ **IMPORTANT!** Pre-setup can only be done by a professional technician or manufacturer agent.

Disclaimers and Copyright

Nothing contained in this publication is to be construed as granting any right, by implication or otherwise, for the manufacture, sale, or use in connection with any method, apparatus, or product covered by letters patent, or as insuring anyone against liability for infringement of letters patent. Efforts have been made to ensure the accuracy and reliability of the data contained in this publication; however, CityGrow Energy Systems Limited. makes no representation, warranty, or guarantee in connection with this publication and hereby expressly disclaims any liability or responsibility for loss or damage resulting from its use or from the use of any product or methodology described herein; for any violation of any federal, state, or municipal regulation with which this publication may conflict; or for the infringement of any patent from the use of this publication. Nothing contained in this publication should be viewed as an endorsement by CityGrow Energy Systems Limited of any particular manufacturer's products.

Installation Instructions

Wiring Diagram

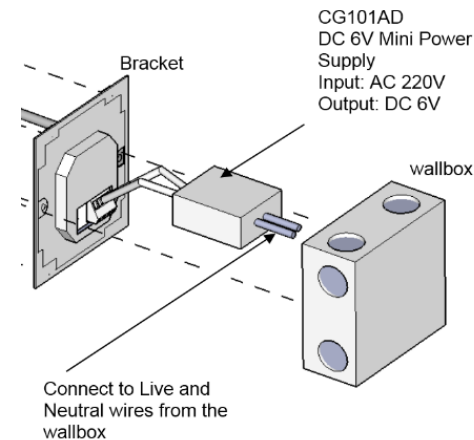


STEP 1: **IMPORTANT!** Turn off main power at the main switch board.

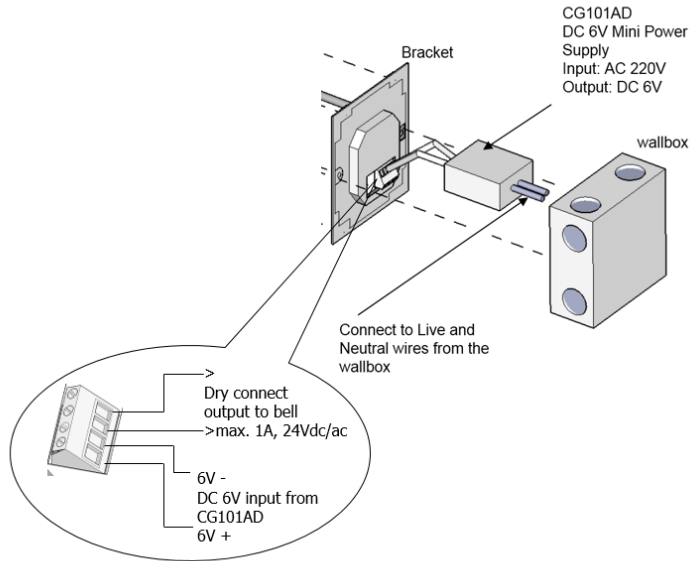


- STEP 2:** Loosen the screws of the original wall switch. Remove the switch and disassemble the wiring.
- STEP 3:** Connect the main power cable to the Live and Neutral terminals of the CG101AD Mini Power Supply. Then connect the DC output wires of the CG101AD to the DC input of the CG100H Series product.

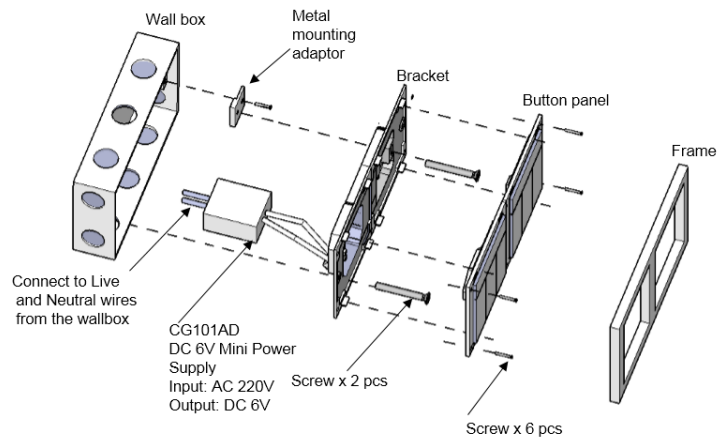
For CG100H4-MD, CG100HTH and CG100HTHV1



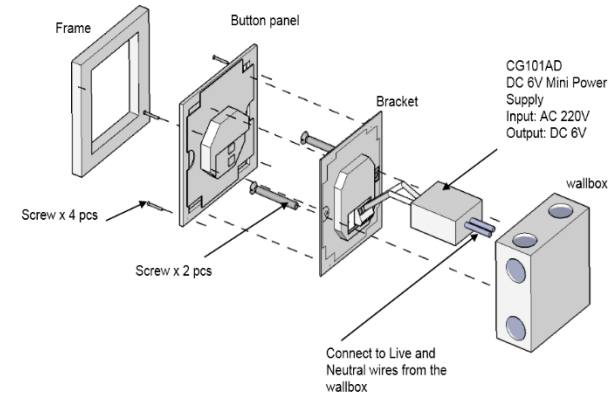
For CG100HHB



For CG100H8-MD



STEP 4: Fasten the screws of all terminals and check that the wires are properly secured. Retrofit the switch into the standard switch box and mount it on the wall by fastening the two screws at the rear of the switch box.



STEP 5: Power up the main switch board, the LED indicators on CG100H Series product should be lightened up. Program the CG100H Series product by using HomeNet Planner 2 software to setup the function of the buttons on the control plate.

Notes: Use Standard UK BS4662 wall box for installation (minimum 35mm depth). It is recommended to embed the wall box with maximum depth fixed inside the wall for more sufficient installation space, preferably with 50mm depth for installation.

For more details about the product series, please refer to the user manual and product specifications.

For more details on programming of the products, please refer to HomeNET Planner Software user manual.