

CG111 SERIES - INSTALLATION GUIDE



CG111S1xx
One-Gang
Switch



CG111S2xxx
Two-Gang
Switch



CG111DMxx
One-Gang
Dimmer



CG111S2-CCP
One-Gang Curtain
Control Switch



European Wall Box
Installation

Model Number and Ratings (see product spec. for details)

Operating Voltage	AC220 to 240V	
	MAX. LOAD	MIN. LOAD
CG111S1xx	500W	N/A
CG111S2xx	500W x 2	N/A
CG111DMxx	200W	5W
CG111S2-CCP	200VA	N/A

Before getting started

- ⚠ **WARNING!** It must be installed by a qualified electrician in accordance to all applicable regulations and building codes. Improper wiring can result in personal injury or damage to control units or other equipment. Always turn off circuit breaker or remove main fuse from power line before doing any work. To avoid overheating and possible damage to equipment.
- ⚠ **WARNING!** Do not operate when any lamps removed or burned out; replace any burned out lamps immediately; use only transformers that incorporate thermal protection or fused primary windings. ! This product is designed for residential and commercial use, for indoor use only.
- ⚠ **WARNING!** Install in accordance to all national and local electrical codes.
- ⚠ **IMPORTANT!** CityGrow® is not liable for any damage incurred with the misuse of the product.
- ⚠ **IMPORTANT!** Pre-setup can only be done by a professional technician or manufacturer agent.

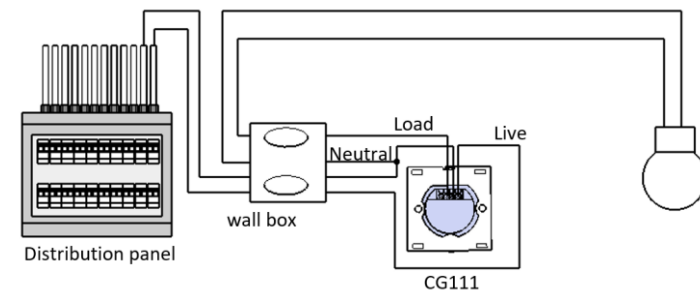
Disclaimers and Copyright

Nothing contained in this publication is to be construed as granting any right, by implication or otherwise, for the manufacture, sale, or use in connection with any method, apparatus, or product covered by letters patent, or as insuring anyone against liability for infringement of letters patent. Efforts have been made to ensure the accuracy and reliability of the data contained in this publication; however, CityGrow Energy Systems Limited. makes no representation, warranty, or guarantee in connection with this publication and hereby expressly disclaims any liability or responsibility for loss or damage resulting from its use or from the use of any product or methodology described herein; for any violation of any federal, state, or municipal regulation with which this publication may conflict; or for the infringement of any patent from the use of this publication. Nothing contained in this publication should be viewed as an endorsement by CityGrow Energy Systems Limited of any particular manufacturer's products.

Installation Instructions

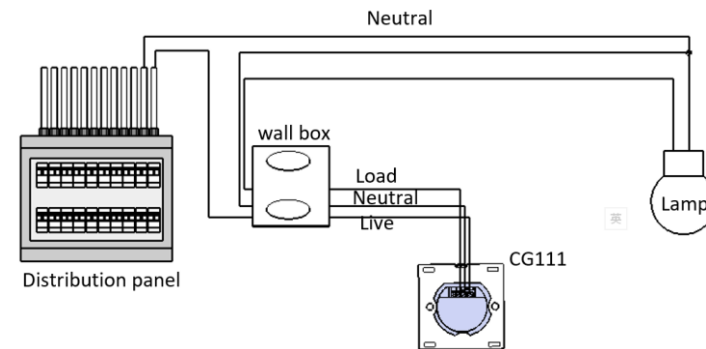
Wiring Diagram – CG111S1, CG111S2 and CG111DM

Situation 1: Live, Neutral and Load wires are ready at wall box

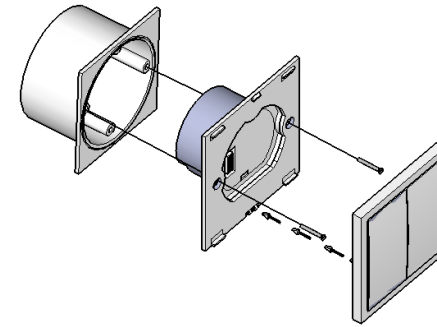
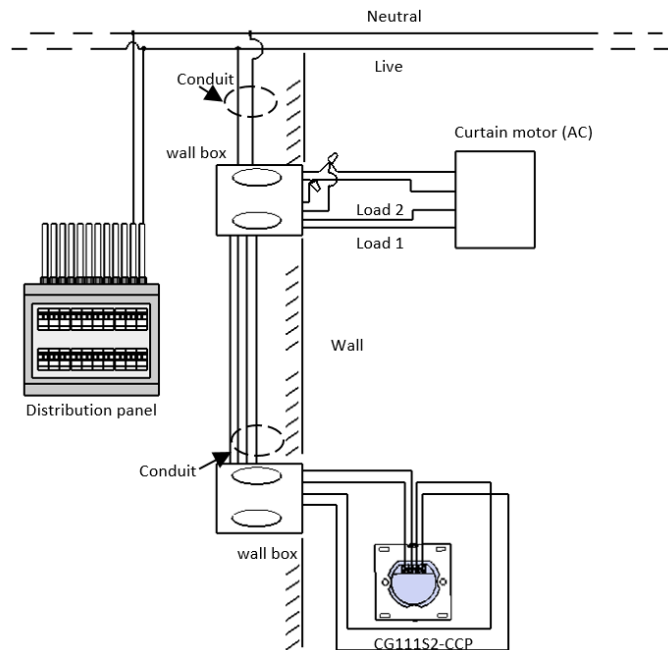


Notes: The Neutral wire of load is closely connected to the Neutral point of CG111.

Situation 2: Live and Load wires are ready at wall box, Neutral wire is only ready at ceiling



Wiring Diagram – CG111S2-CCP



STEP 5: Push the ON/OFF Button to test whether the wiring has been connected correctly. If the ON/OFF Button does not function as expected, please check the wiring connection again.

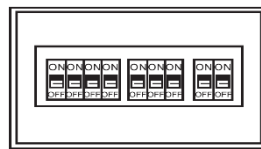
Notes: Use European wall box for installation. It is recommended to embed the wall box with maximum depth fixed inside the wall for more sufficient installation space.

For more details about the product series, please refer to the user manual and product specifications.

For more details on programming of the products, please refer to HomeNET Planner Software user manual.

www.citygrowsys.com

STEP 1: **IMPORTANT!** Turn off main power at the main switch board.



STEP 2: Loosen the screws of the original wall switch. Remove the switch and disassemble the wiring.

STEP 3: Connect the main power cable to the Live and Neutral terminals and the load cable to the Load terminals at the rear cabinet of the product.

STEP 4: Fasten the screws of all terminals and check that the wires are properly secured. Retrofit the switch into the standard switch box and mount it on the wall by fastening the two screws at the rear of the switch box.