

CG400 SERIES - INSTALLATION GUIDE



CG400SW
One-Gang Switch
Module



CG400FL
0-10V Dimming
Module



CG400DM
One-Gang Dimmer
Module



CG400S2-CCP
One-Gang Curtain
Control Switch
Module

Model Number and Ratings (see product spec. for details)

Operating Voltage	AC220 to 240V		
	MAX. LOAD	MIN. LOAD	
CG400SW	1000W	N/A	
CG400DM	400W	5W	
CG400FL	700W	N/A	
CG400S2-CCP	300VA	N/A	

Before getting started

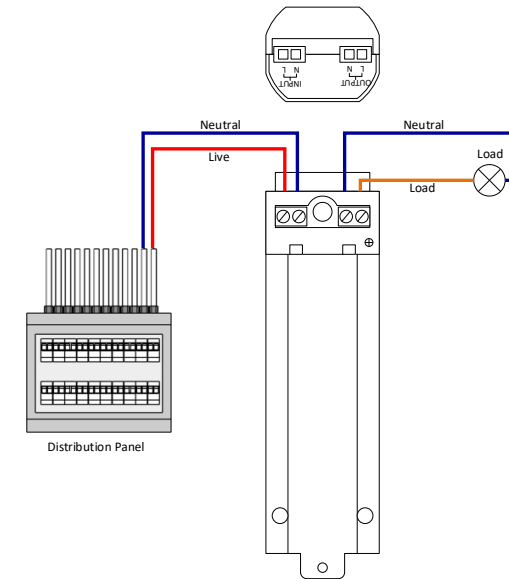
- ⚠️ **WARNING!** It must be installed by a qualified electrician in accordance to all applicable regulations and building codes. Improper wiring can result in personal injury or damage to control units or other equipment. Always turn off circuit breaker or remove main fuse from power line before doing any work. To avoid overheating and possible damage to equipment.
- ⚠️ **WARNING!** Do not operate when any lamps removed or burned out; replace any burned out lamps immediately; use only transformers that incorporate thermal protection or fused primary windings. ! This product is designed for residential and commercial use, for indoor use only.
- ⚠️ **WARNING!** Install in accordance to all national and local electrical codes.
- ⚠️ **IMPORTANT!** CityGrow® is not liable for any damage incurred with the misuse of the product.
- ⚠️ **IMPORTANT!** Pre-setup can only be done by a professional technician or manufacturer agent.

Disclaimers and Copyright

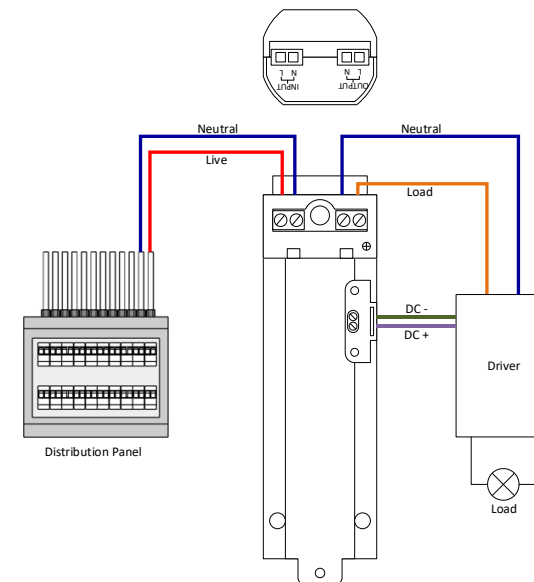
Nothing contained in this publication is to be construed as granting any right, by implication or otherwise, for the manufacture, sale, or use in connection with any method, apparatus, or product covered by letters patent, or as insuring anyone against liability for infringement of letters patent. Efforts have been made to ensure the accuracy and reliability of the data contained in this publication; however, CityGrow Energy Systems Limited. makes no representation, warranty, or guarantee in connection with this publication and hereby expressly disclaims any liability or responsibility for loss or damage resulting from its use or from the use of any product or methodology described herein; for any violation of any federal, state, or municipal regulation with which this publication may conflict; or for the infringement of any patent from the use of this publication. Nothing contained in this publication should be viewed as an endorsement by CityGrow Energy Systems Limited of any particular manufacturer's products.

Installation Instructions

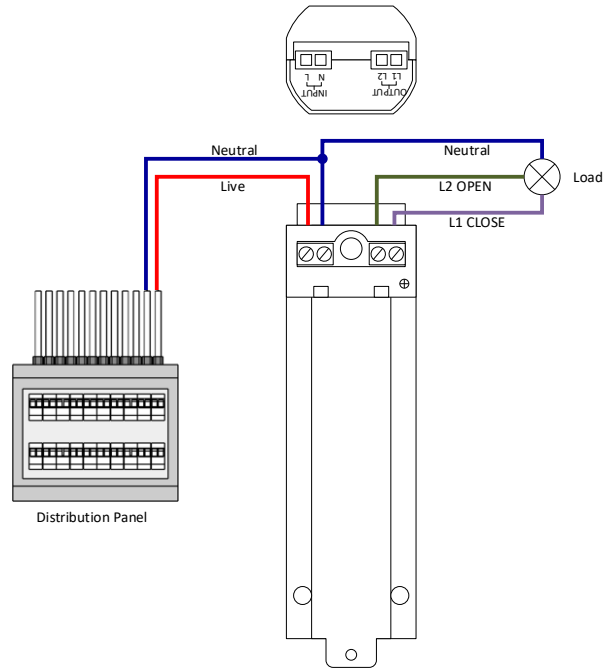
Wiring Diagram – CG400SW and CG400DM



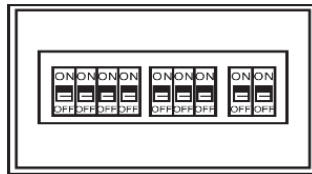
Wiring Diagram – CG400FL



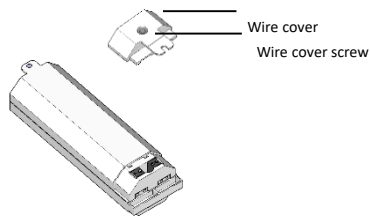
Wiring Diagram – CG400S2-CCP



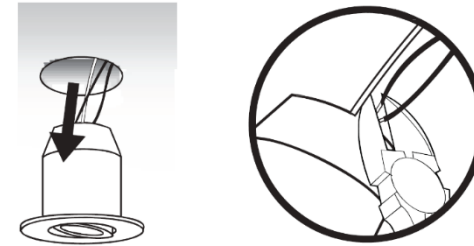
STEP 1: **IMPORTANT!** Turn off main power at the main switch board.



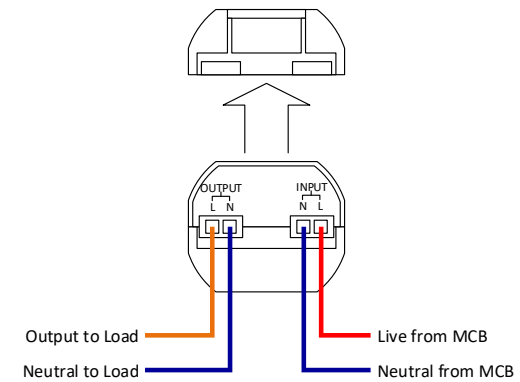
STEP 2: Loosen the wire cover screw and remove the wire cover.



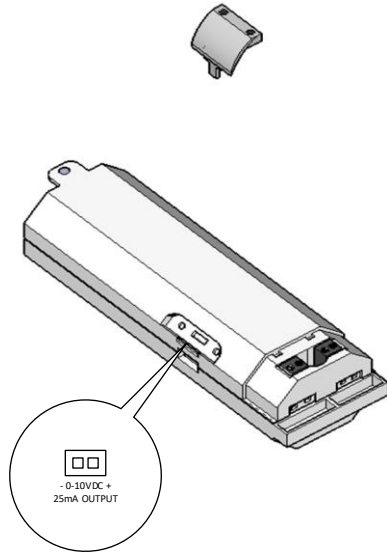
STEP 3: Remove the light fixture from the ceiling and cut the original wiring going to the light, approximately 10 to 15 cm from the light fixture. (Load and Neutral).



STEP 4: Connect the main power cable to the Live and Neutral terminals. Connect the load cable to the Load terminals at the back cabinet of the product.



***** For CG400FL, connect 0-10V DC dimming voltage output to the corresponding input of the lamp/lamp driver. See following diagram.**



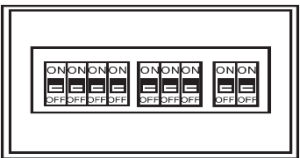
For more details about the product series, please refer to the user manual and product specifications.

For more details on programming of the products, please refer to HomeNET Planner Software user manual.

www.citygrowsys.com

Step 5: Fasten the screws of all wire connectors and secure the in and out wires properly. Place the wire cover back to the module.

Step 6: Turn the main power on at the main switch board again.



The module is now powered up and the orange LED will blink. Pressing the test button to test the module.