

CG500CT Current Transformer



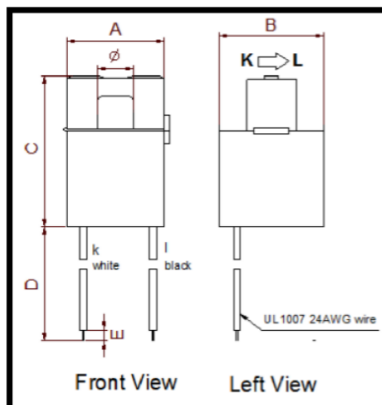
Description

- Current Measurement
- Electrical load monitoring
- Energy and sub-metering products
- Network equipment
- Instruments and sensors
- Control systems
- Go GREEN initiative
- CG500CT1-30A, 30-60A,60-100A, 100-200A,200-400A
- Frequency 50Hz to 400Hz
- Output current 20mA
- ANSI.C57.13 and IEC60044-1 Standards

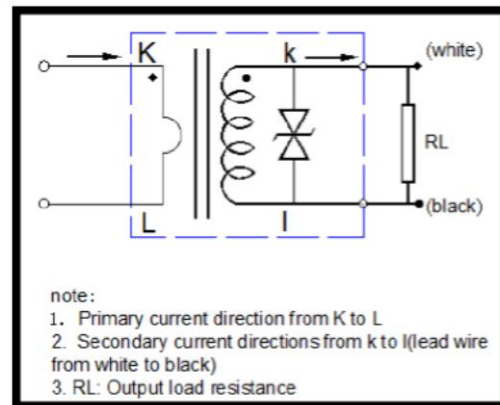
Caution

Before installation, safety precautions must be followed by licensed professional. Never energize primary unless short circuited terminals or burden connected to secondary.

Dimension



Test Circuit



Order Code	A	B	C	D	E	Output
CG500CT1- 30A	25.5	26	40	155	6	20mA
CG500CT30- 60A	25.5	26	40	155	6	20mA
CG500CT60- 100A	31.4	31.5	46	155	10	20mA
CG500CT100- 200A	45	34.4	65.5	150	10	20mA
CG500CT200- 400A	57	38.4	81.5	155	10	20mA