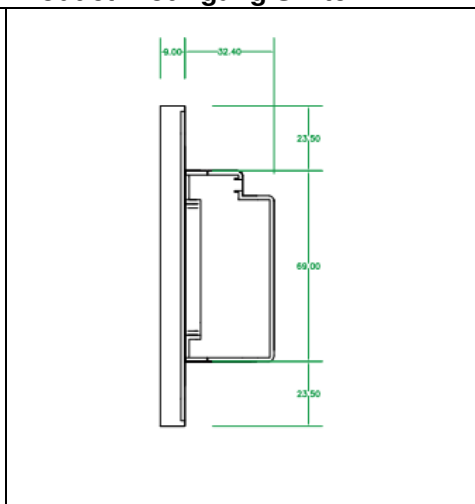
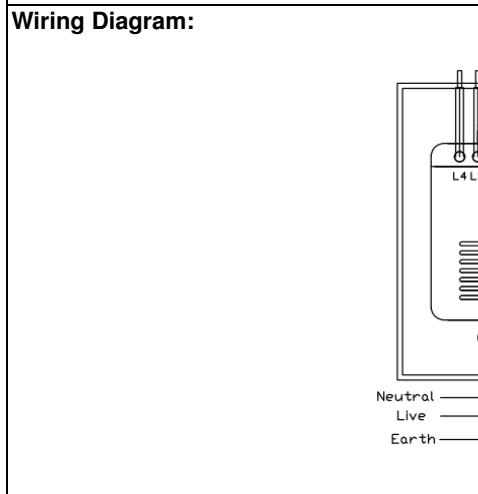


Model: CG600S4

Product: Four gang Switch



<b>Specifications</b>	
Two-way control function:	Support
Operating voltage:	AC100-240V, 50/60Hz
Dimension L X W x D (mm)	116x70x41.4
Backlight:	Support
Control communications:	ZigBee, IEEE 802.15.4 , MESH Network
Radio frequency:	2.4 GHz, 16 channels
Operational temperature	0°C to 40°C
Humidity	5% to 95% non-condensing
Storage	-20°C to 70°C
<b>Specifications – Loads</b>	
<b>Maximum Load ( Per Unit )</b>	<b>1000W</b>



Resistive load (Per Gang)	
1. Incandescent	1000W
2. Halogen Electronic low voltage – ELV transformer	
<b>Inductive load (Per Gang)</b>	
1. Magnetic low voltage – MLV transformer.	1000VA
2. Iron core / Inductive transformer	
<b>Fluorescent (Per Gang)</b>	700W
<b>Compact fluorescent - CFL (Per Gang)</b>	300W Max. 20 pcs CFL**
<b>LED – GU10 (Per Gang)</b>	100W
<b>LED – MR16, MR11 (Per Gang)</b>	400W
With electronic low voltage LED driver	Max. 24 pcs ELV LED driver
<b>LED strip (Per Gang)</b>	400W
With electronic low voltage driver	Max. 10 pcs ELV LED driver**
<b>Exhaust fan (Per Gang)</b>	300VA

\*\*Remarks:

1. The maximum load requirements for fluorescent, CFL and LED loads may vary depends on the specific fixture and /or bulb being used.

2. The Unit must be earthed

TECHNICAL INFORMATION AND PICTURES ARE SUBJECTED TO CHANGE WITHOUT PRIOR NOTICE.

Copyright © CityGrow Energy Systems Limited. All Rights Reserved.